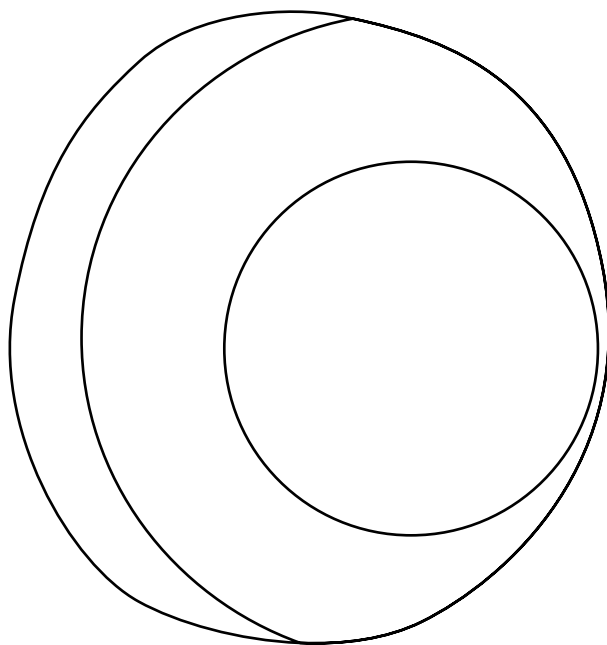

JARDAN

Nelly

Assembly Instructions



Nelly Wall Light

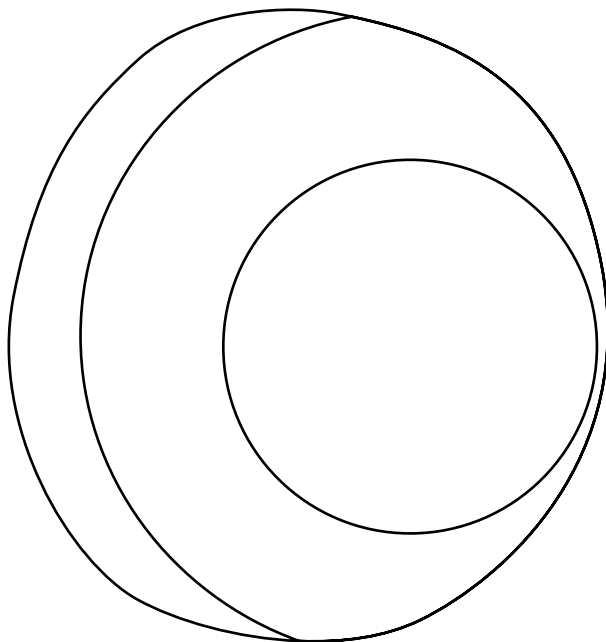


IP44

jardan.com.au

JARDAN

Nelly Assembly Instructions



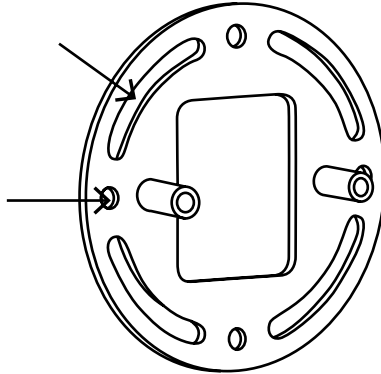
Components

Required

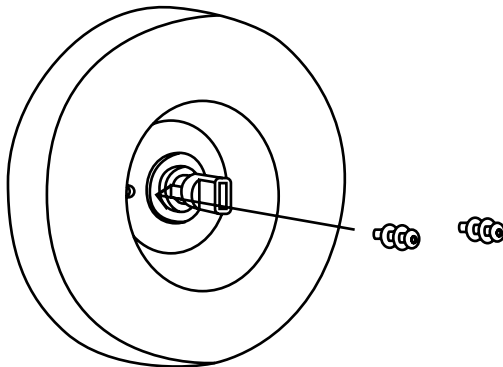
1 x Nelly Ceramic Wall Sconce	1 x 4mm Allen Key
1 x Opal Glass Globe	1 x Drill + Drill bits
1 x G9 LED Bulb	4 x Screws + substrate fixings
1 x Wall Bracket	1 x Heavy Duty Weatherproof
2 x M5 Screws	Silicone Sealant
2 x M5 Silicone Washers	1 x Double Insulated Junction Box
2 x M5 Steel Washers	

JARDAN

Nelly Assembly Instructions



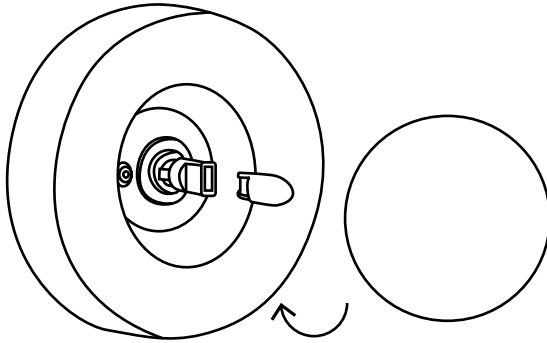
- 1** Securely fix the wall bracket to substrate using suitable load-bearing fixing method via the holes or slots in bracket. Ensure a large central cut-out for flex and junction box. Ensuring power is off, create electronic connections and feed junction box through central slot into wall cavity.
-



- 2** Align sconce with wall bracket. Using provided washers and bolts secure the sconce to the bracket by screwing through the two holes either side of the bulb holder until fully tightened. Silicone washers must be mounted first followed by steel washers and bolts to guarantee weatherproof seal.
-

JARDAN

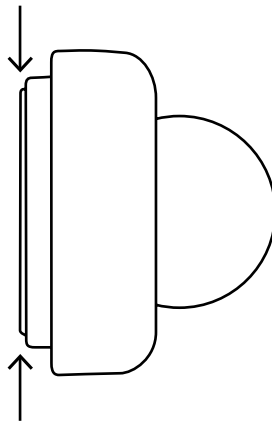
Nelly Assembly Instructions



Place G9 bulb into socket of G9 holder.

3

Ensure central silicone washer is in place before screwing the glass globe firmly onto the bulb mount. It must be threaded with enough pressure to seal against the elements.



4

To ensure IP rating a heavy duty weatherproof silicone sealant must be used in a thick continuous bead around the perimeter of where the sconce meets the wall. Ensure there are no gaps in the sealant between the wall and sconce and the cavity is filled, wiping clean any excess.

JARDAN

This installation guide will help your electrician simply and safely install your Nelly Wall Light. Jordan carries out a test assembly prior to delivery, but please ensure that all necessary components are present and use this handbook as a reference throughout the installation process.



WARNING

This installation must only be done by a licensed electrician. In order to meet IP44 silicone sealant must be applied in the gap between wall and light fitting after installation as per instructions. Keep tools away from the surface to avoid scuffing and scratches. Jordan cannot be held responsible for any damage that occurs during installation.

Warranty and Care

- Made to last, our lighting is covered by a 1 year structural warranty.
 - Wipe with a dry micro-fibre cloth only, ensuring light is turned off before proceeding.
-

Contact

For more information visit our website. If you can't find what you're looking for our friendly sales team will be happy to help, contact your nearest Jordan store.

jordan.com.au
