



Otis

Gentle soft curves nest beautifully around Otis from every angle. Featuring a large radius edge on top which intersects the pill shaped leg, Otis celebrates an elegance of craftsmanship and subtle detail. The range includes low tables, desks and dining tables.

Otis comes in a range of sizes, the Jordan website will allow you to select your preference then further customise finishes.

Available Materials

Timber - Oak and Walnut

Specifications

Crafted

Australian made since 1987, our furniture takes shape at our Design + Manufacturing HQ in Melbourne.

Environmental

Our timber is sourced from sustainably managed forests and is available in a range of finishes.

Warranty

Made to last, our outdoor armchairs and sofas are covered by a 1 year structural warranty.

Low Tables



OI50 – 500L x 500D x 450H (mm)
20L x 20D x 18H (inches)



OI80 – 800L x 800D x 300H (mm)
31L x 31D x 12H (inches)



OI100 – 1000L x 1000D x 300H (mm)
39L x 39D x 12H (inches)



OI120 – 1200L x 1200D x 300H (mm)
47L x 47D x 12H (inches)

Desk



OI190 – 1900L x 760D x 740H (mm)
75L x 30D x 29H (inches)

Dining Table



OI120-1 – 1200L x 1200D x 740H (mm) | 4 Seater
47L x 47D x 29H (inches)



OI140 – 1400L x 1400D x 740H (mm) | 4 Seater
55L x 55D x 29H (inches)



OI220 – 2200L x 1000D x 740H (mm) | 6 Seater
87L x 39D x 29H (inches)



OI240 – 2400L x 1000D x 740H (mm) | 8 Seater
94L x 39D x 29H (inches)

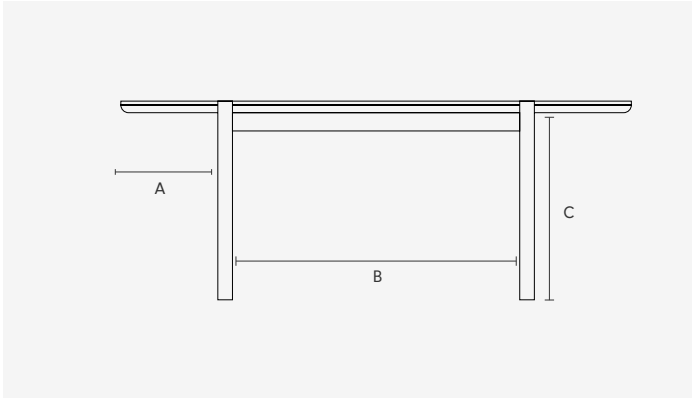


OI280 – 2800L x 1000D x 740H (mm) | 10 Seater
110L x 39D x 29H (inches)

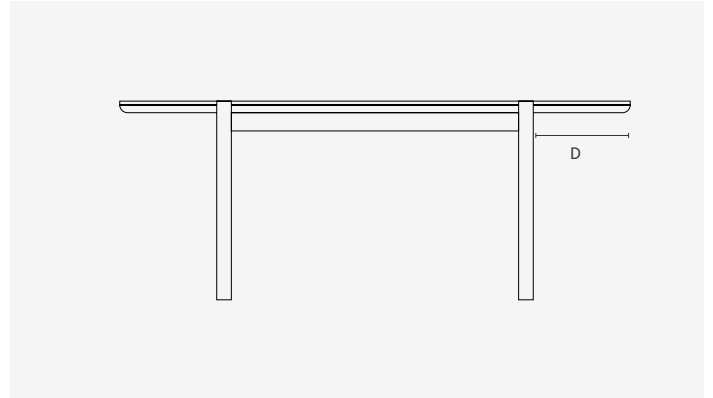


OI300 – 3000L x 1000D x 740H (mm) | 10 Seater
118L x 39D x 29H (inches)

Technical Specifications



Angle 1 | A Leg Inset Short Edge | B Space Between Legs | C Table Height

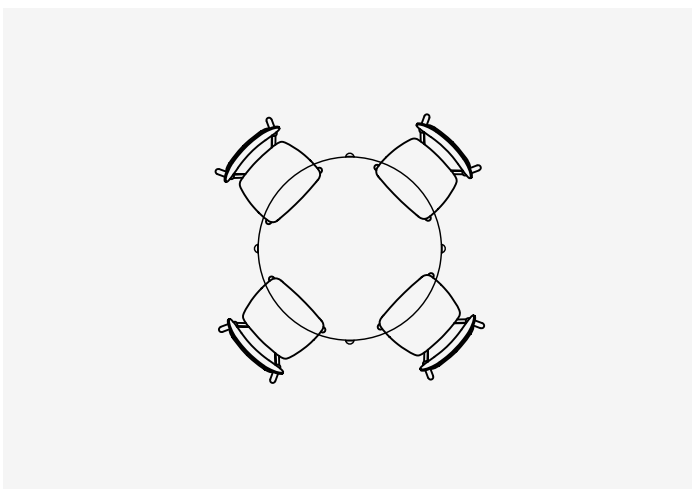


Angle 2 | D Leg Inset Long Edge

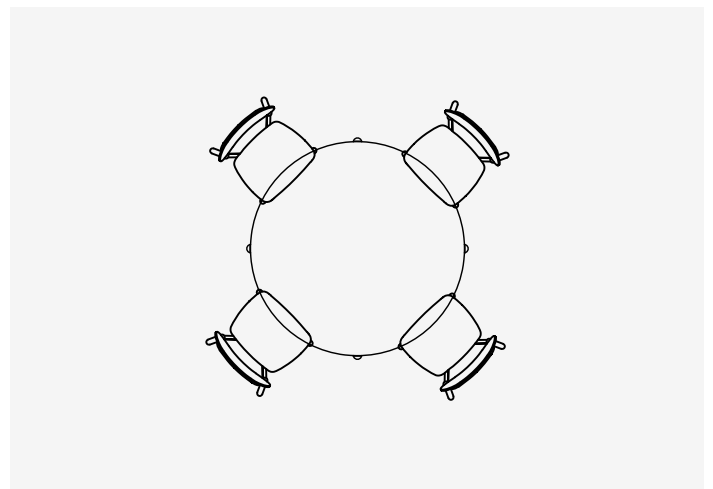
	A (mm/inches)	B (mm/inches)	C (mm/inches)
OI50			450/18
OI80			300/12
OI100			300/12
OI120			300/12
OI120-1			740/29
OI140			740/29
OI190	360/14	1070/42	740/29
OI220	480/19	1130/44	740/29
OI240	480/19	1330/52	740/29
OI280	480/19	1730/68	740/29
OI300	480/19	1930/76	740/29

	D (mm/inches)
OI50	
OI80	
OI100	
OI120	
OI120-1	
OI140	
OI190	360/14
OI220	480/19
OI240	480/19
OI280	480/19
OI300	480/19

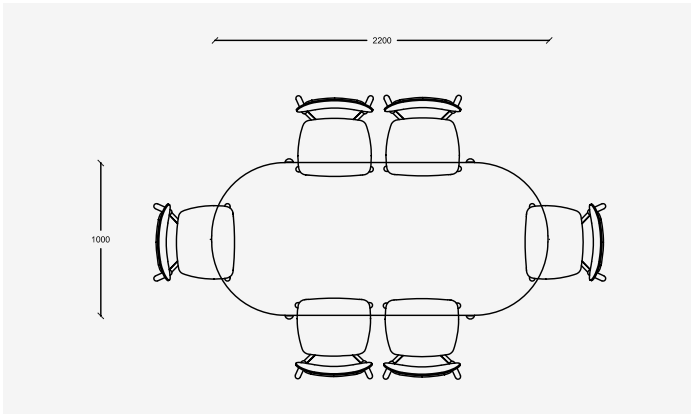
Seating Arrangements



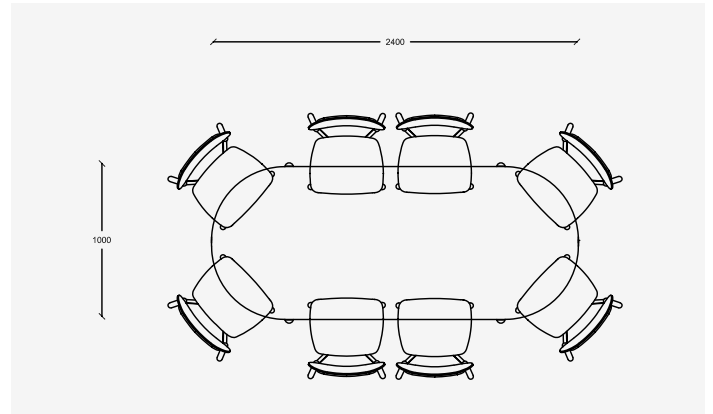
OI210_1 | Seating for 4 chairs
 Chair Shown MK53 | McKenzie – 528 537L x 528D (mm)
 21 21L x 21D (inches)



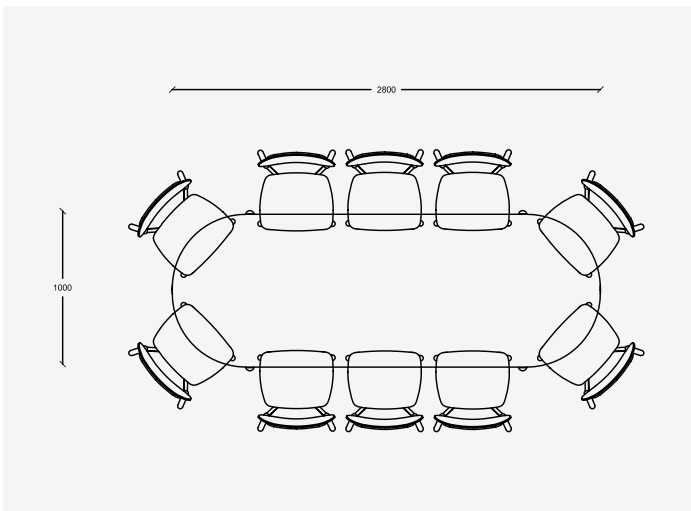
OI140 | Seating for 4 chairs



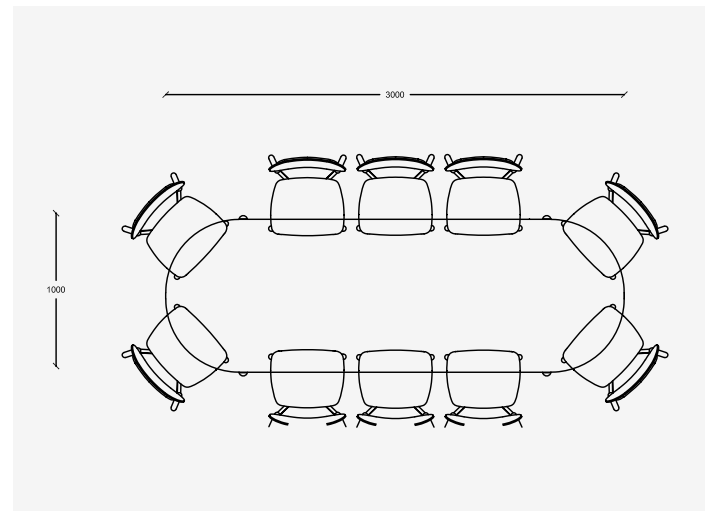
OI220 | Seating for 6 chairs



OI240 | Seating for 8 chairs



OI280 | Seating for 10 chairs



OI300 | Seating for 10 chairs