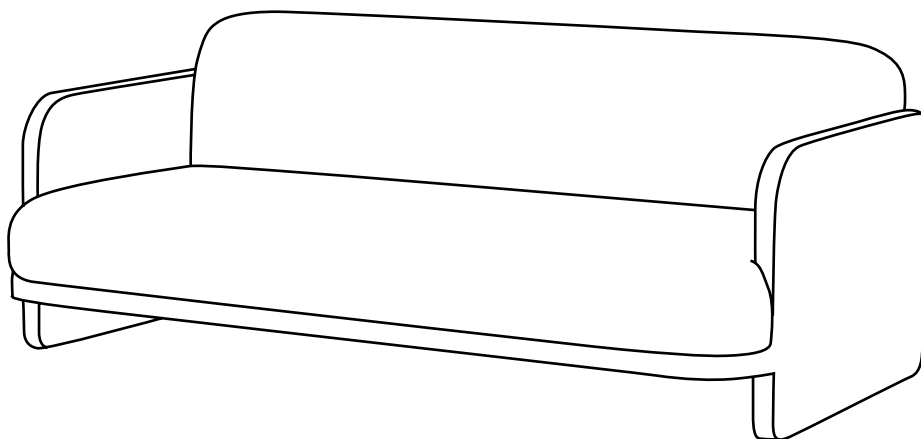

JARDAN

Marlo

Assembly Instructions

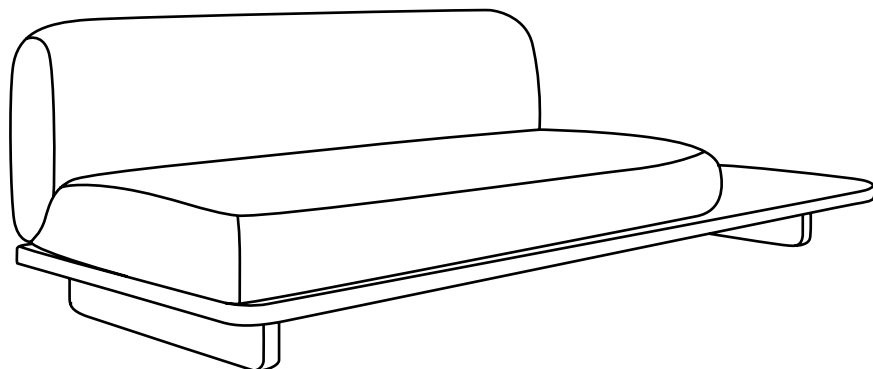


Marlo Sofa

jardan.com.au

JARDAN

Marlo Assembly Instructions



Components

Required

A Timber table legs and under-rails
attached

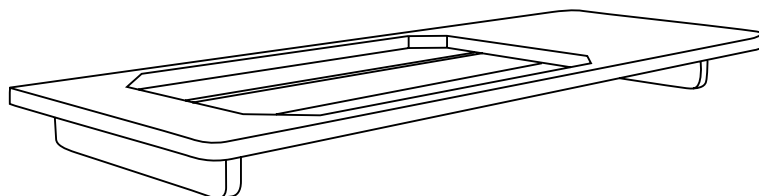
2 x Dowels (installed in sofa)

B Upholstered sofa section

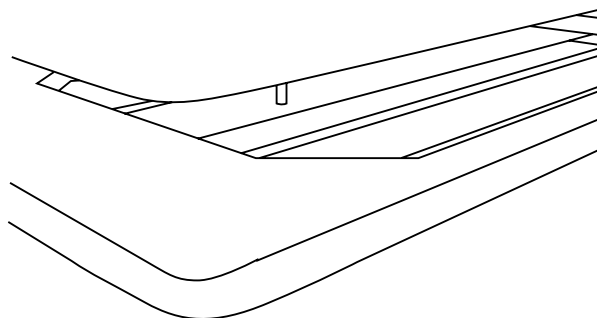
10 x Flanged Hex-head
Screws (65mm long)

JARDAN

Marlo Assembly Instructions



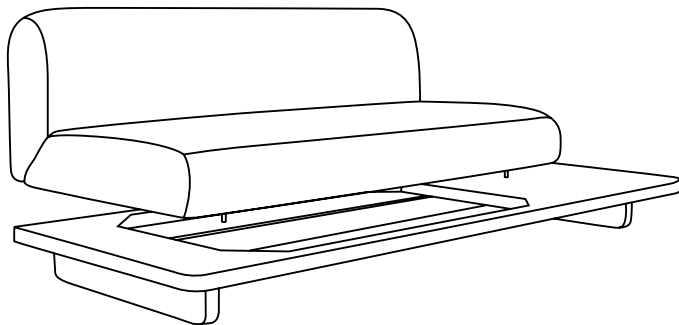
- 1** Unbox the timber table and place on the ground so it's sitting upright on its legs.
-



- 2** Unwrap upholstered section and locate the 2 dowels on the underside. Locate the larger holes on the top of the table, near the front edge. These are the dowel locating holes.
-

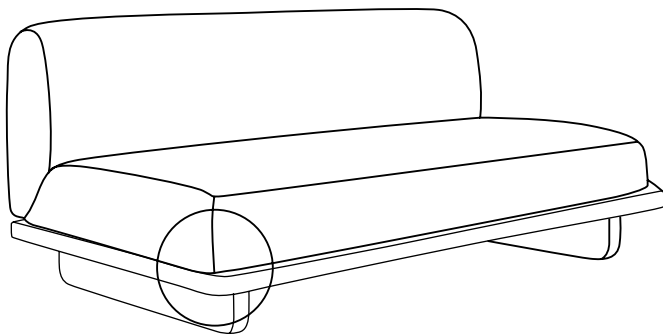
JARDAN

Marlo Assembly Instructions



3

Place the upholstered section on to the timber table so that the dowels drop into the dowel holes.

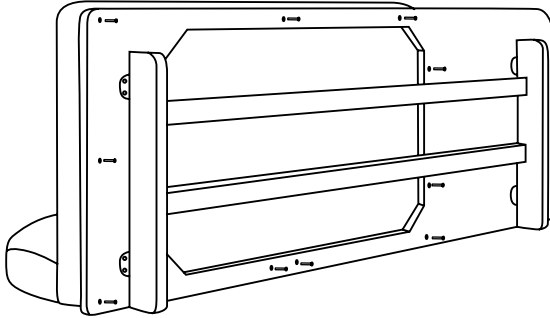


4

Double check that the edges of the timber table align with the front and side of the sofa.

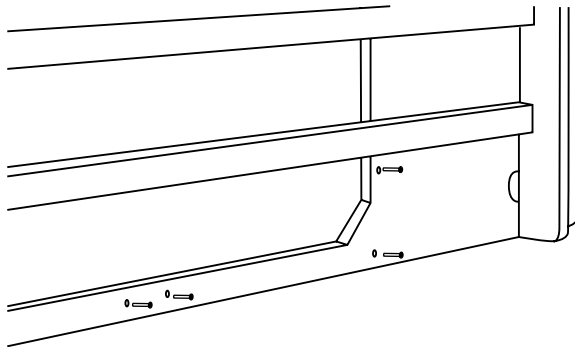
JARDAN

Marlo Assembly Instructions



5

Flip the combined sofa-and-table unit up onto its back so that the underside is accessible (make sure that the dowels hold the sofa and table together before moving to the next step).

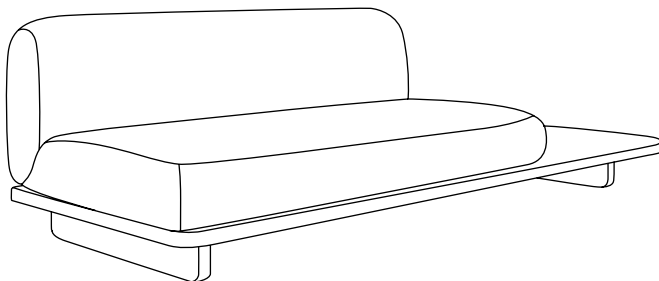


6

Locate the provided hex-head screws and screw them through the table and into the upholstered section via the pre-drilled holes.

JARDAN

Marlo Assembly Instructions



- 7** When all screws are in tight, lower the unit back onto its legs and the Marlo sofa assembly is complete.

JARDAN

Care and Maintenance

Our philosophy is simple, we only make furniture that lasts. Over their lifetime our products will need a little care and attention to ensure they can be enjoyed by generations to come. The following information will help you care for your Jordan products in the best possible way.

Fabric

Vacuum fabrics on a weekly basis to remove dust, dirt and any loose feathers. Treat spills and stains as soon as possible by wiping with a damp cloth, do not treat with chemical cleaners or scrub as this can alter the fabric's appearance. We recommend contacting a specialist fabric cleaner to treat difficult stains. To prolong the life of your upholstery, we recommend annual cleaning by a specialist fabric cleaner. Direct sunlight may cause colour change and aging of your fabric, for best performance we recommend positioning your furniture out of direct UV light. Please refer to the Materials Library on our website for care information specific to your fabric.

Timber Oil Finish

Timber is a natural product that will respond to its environmental conditions. For timber products with an oil finish we recommend that you pay particular attention to protecting the piece from hot or wet objects. Do not leave liquid to sit on timber surfaces as it will penetrate the surface and cause staining. Wipe up spills immediately with a damp cloth.

Dependant on the position of the piece and the conditions of your home, we recommend re-oiling once a year. We advise having your furniture re-oiled at least once by our professional craftspeople to learn the correct application techniques. In some cases, an additional application may be required after the first six months. Oil care packages are available from your nearest Jordan store.

Do not use any other cleaners or polishes as they may permanently damage your furniture. Slab or underfloor heating can be damaging to solid timber products. The heat causes the bottom side to dry out differently to the top which can cause bowing, warping or cracking. We advise that you do not keep solid timber pieces on underfloor heating.

Contact

For more information visit our website. If you can't find what you're looking for our friendly sales team will be happy to help, contact your nearest Jordan store.

jardan.com.au
