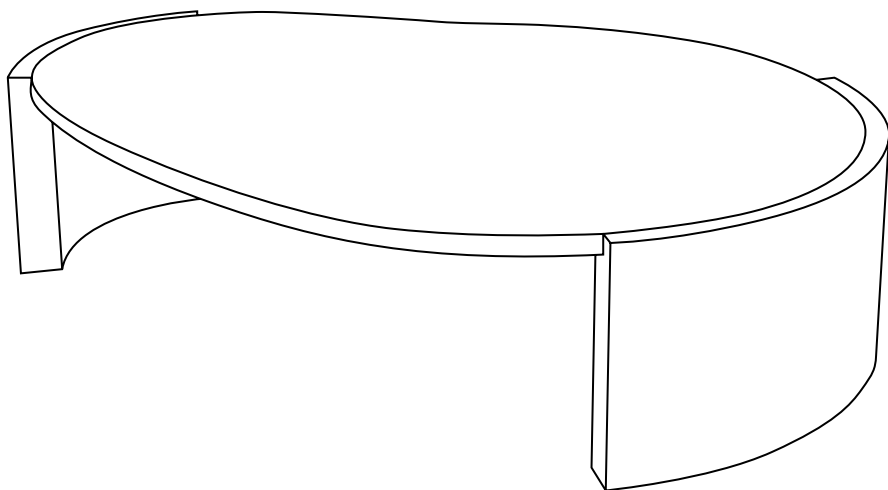

JARDAN

Frida

Assembly Instructions

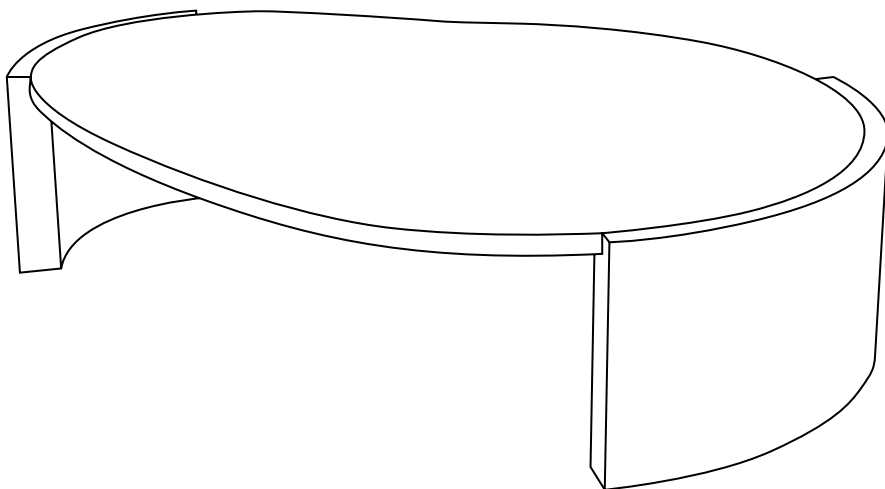


Frida Coffee Table

jardan.com.au

JARDAN

Frida Assembly Instructions

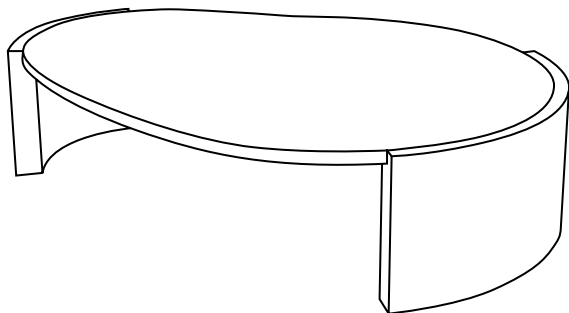


Components	Required
------------	----------

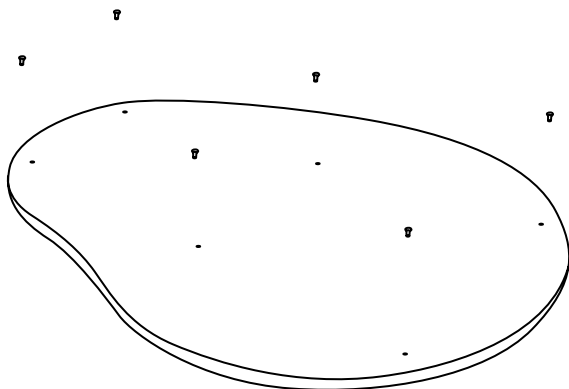
A 1 x Table Top	Allen Key
B 1 x Support Frame	Fixing provided: M8 bolt
C 2 x Legs	

JARDAN

Frida Assembly Instructions



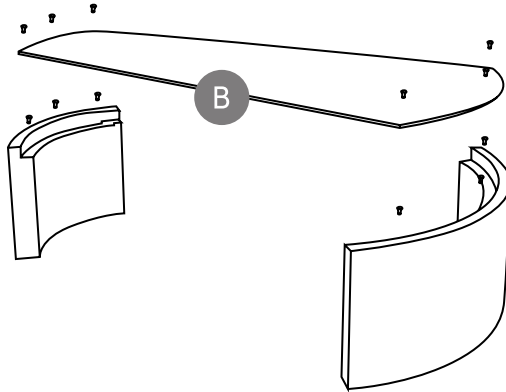
-
- 1** Unwrap and familiarise yourself with all the components. Note: When delivered the support frame B and the table to A are already fixed together.
-



- 2** Flip table top A over onto a padded surface and remove support plate B
-

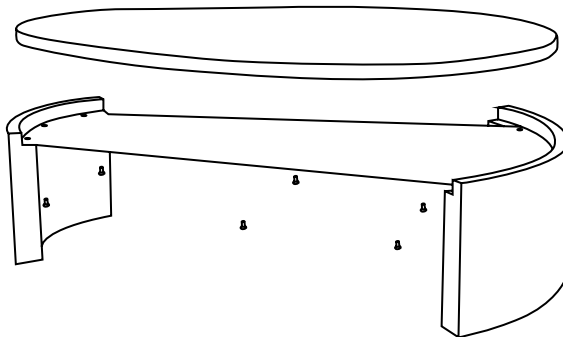
JARDAN

Frida Assembly Instructions



3

Space the legs apart facing upwards and attach the support plate B to the legs using the provided bolts.



4

Place table top A onto to the Legs C and fix into place using the bolts provided.
Note: Be cautious when moving the table and always lift from the legs.

JARDAN

Care and Maintenance

Our philosophy is simple, we only make furniture that lasts. Over their lifetime our products will need a little care and attention to ensure they can be enjoyed by generations to come. The following information will help you care for your Jordan products in the best possible way.

Timber Oil Finish

Timber is a natural product that will respond to its environmental conditions. For timber products with an oil finish we recommend that you pay particular attention to protecting the piece from hot or wet objects. Do not leave liquid to sit on timber surfaces as it will penetrate the surface and cause staining. Wipe up spills immediately with a damp cloth.

Dependant on the position of the piece and the conditions of your home, we recommend re-oiling once a year. We advise having your furniture re-oiled at least once by our professional craftspeople to learn the correct application techniques. In some cases, an additional application may be required after the first six months. Oil care packages are available from your nearest Jordan store.

Do not use any other cleaners or polishes as they may permanently damage your furniture. Slab or underfloor heating can be damaging to solid timber products. The heat causes the bottom side to dry out differently to the top which can cause bowing, warping or cracking. We advise that you do not keep solid timber pieces on underfloor heating.

Timber Lacquer Finish

Timber is a natural product that will respond to its environmental conditions. We recommend you avoid extreme variation in temperature and humidity as well as contact with liquids and heat. Regularly wipe timber to remove dust and dirt. Do not leave liquid to sit on timber surfaces as it will penetrate and may cause staining. Wipe up spills immediately with a damp cloth. The tone of the timber will alter over time with exposure into UV light, please protect timber from direct or reflected sunlight.

Do not use cleaners or polishes as these may cause permanent damage or colour variation to your furniture. Take care when placing or moving unglazed ceramics and other items with an irregular base finish as they may scratch the surface. Slab or underfloor heating can be damaging to solid timber products. The heat causes the bottom side to dry out differently to the top which can cause bowing, warping or cracking. We advise that you do not keep solid timber pieces on underfloor heating.

Contact

For more information visit our website. If you can't find what you're looking for our friendly sales team will be happy to help, contact your nearest Jordan store.

jardan.com.au
