

---

JARDAN

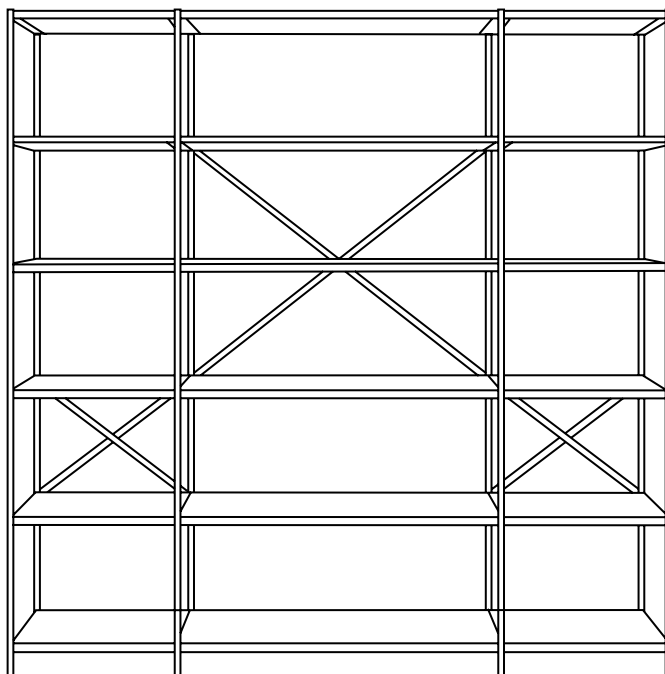
---

# Edie

---

Assembly Instructions

---



---

Edie Bookshelf

---

[jardan.com.au](http://jardan.com.au)

---

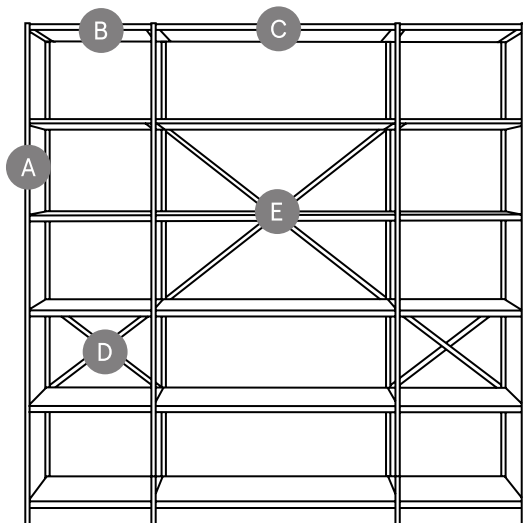
---

# JARDAN

---

## Edie Assembly Instructions

---



---

ED100

Required

A 2 x frame uprights  
C 6 x medium shelves  
E 1 x medium cross brace  
F 28 x M6x20 bolts

1 x Allen Key/low  
torque drill  
Wll fixings  
3x people (minimum)

---

ED151/1

ED202/1

A 4 x frame uprights  
B 12 x small shelves  
C 6 x medium shelves  
D 2 x small cross braces  
E 1 x medium cross brace  
F 82 x M6x20 bolts

A 3 x frame uprights  
B 6 x small shelves  
C 6 x medium shelves  
D 1 x small cross braces  
E 1 x medium cross brace  
F 55 x M6x20 bolts

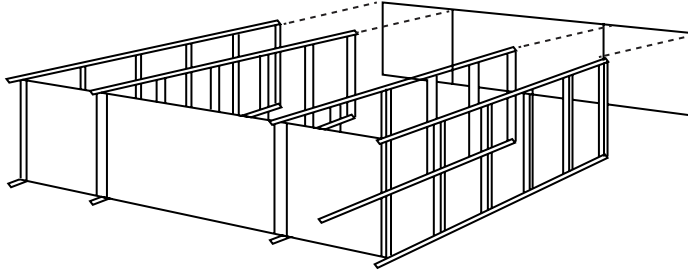
---

# JARDAN

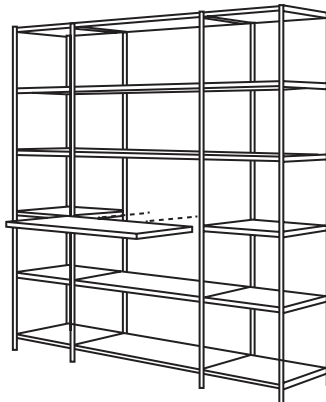
---

## Edie Assembly Instructions

---



- 1** Place each of the frame uprights on a well padded surface with the screw holes facing down. Using an Allen key and the bolts provided fasten the top and bottom two levels of shelves in place. Be careful not to overtighten bolts if using an electric drill.
- 



- 2** With at least three people, carefully lift the unit into an upright position. Once vertical place the remaining shelves into the unit, fixing in place with the bolts provided.
-

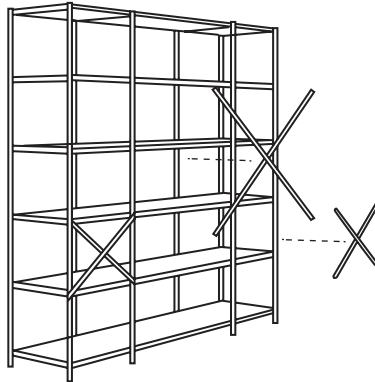
---

# JARDAN

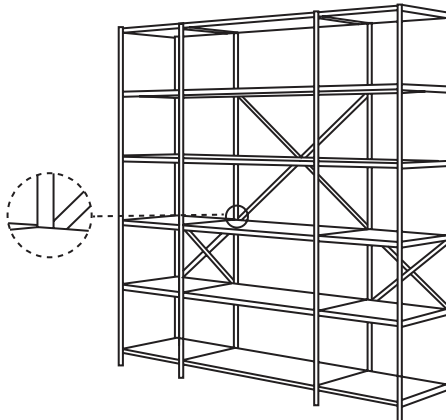
---

## Edie Assembly Instructions

---



- 3** To secure the unit fasten all cross brackets to the back of the unit using the bolts provided.
- 



- 4** Fix completed unit to a structural wall using the cross brackets and appropriate fixings.
-

---

# JARDAN

---

## Care and Maintenance

---

Our philosophy is simple, we only make furniture that lasts. Over their lifetime our products will need a little care and attention to ensure they can be enjoyed by generations to come. The following information will help you care for your Jordan products in the best possible way.

---

### Powdercoated Metal

---

Regularly wipe metal with a damp soft cloth to remove particles which can abrade the surface with wear. Avoid contact with liquid, heat and direct sunlight. Abrasive cleaning products are not recommended.

---

### Timber Oil Finish

---

Timber is a natural product that will respond to its environmental conditions. For timber products with an oil finish we recommend that you pay particular attention to protecting the piece from hot or wet objects. Do not leave liquid to sit on timber surfaces as it will penetrate the surface and cause staining. Wipe up spills immediately with a damp cloth.

Dependant on the position of the piece and the conditions of your home, we recommend re-oiling once a year. We advise having your furniture re-oiled at least once by our professional craftspeople to learn the correct application techniques. In some cases, an additional application may be required after the first six months. Oil care packages are available from your nearest Jordan store.

Do not use any other cleaners or polishes as they may permanently damage your furniture. Slab or underfloor heating can be damaging to solid timber products. The heat causes the bottom side to dry out differently to the top which can cause bowing, warping or cracking. We advise that you do not keep solid timber pieces on underfloor heating.

---

### Contact

---

For more information visit our website. If you can't find what you're looking for our friendly sales team will be happy to help, contact your nearest Jordan store.

---

[jardan.com.au](http://jardan.com.au)

---