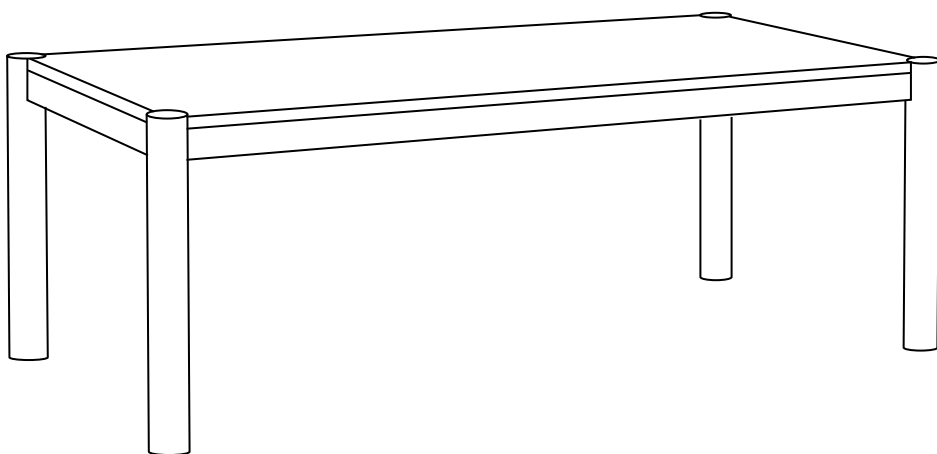

JARDAN

Huxley

Assembly Instructions

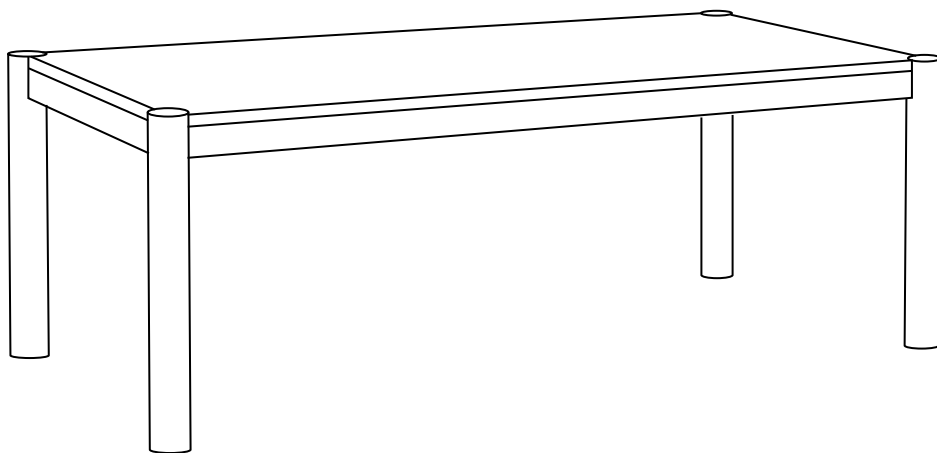


Huxley Dining Table

jardan.com.au

JARDAN

Huxley Assembly Instructions



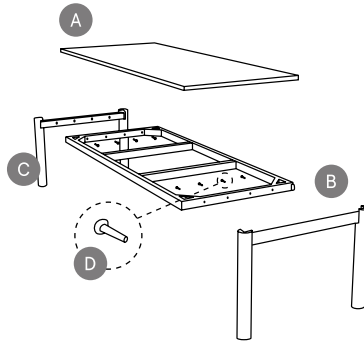
Components	Required
------------	----------

A 1 x Table top
B 1 x Support frame
C 2 x Legs
D 8 x M10 bolt

Allen Key

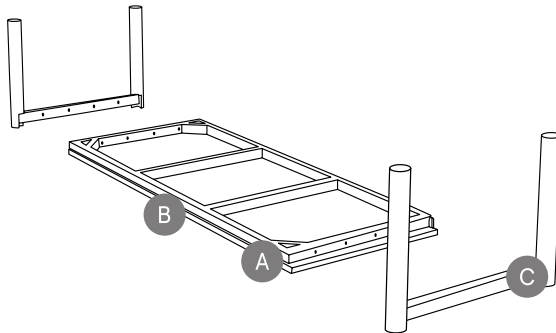
JARDAN

Huxley Assembly Instructions



1

Unwrap and familiarise yourself with all the components. Note: When delivered the support frame B and the table top A are already fixed together. Secure legs C to support frame B with Allen key bolts D provided. 4 x bolts are to go into each side.

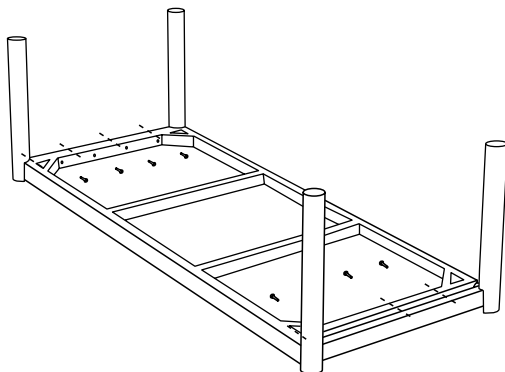


2

Flip the table top A with the support frame B upside down and position the legs C facing outwards on both sides. Note: Make sure the floor is well padded to avoid damage to table top A or damage to floor.

JARDAN

Huxley Assembly Instructions



3

Using at least 2 people, flip the table right side up and check all connections are secure.

JARDAN

Care and Maintenance

Our philosophy is simple, we only make furniture that lasts. Over their lifetime our products will need a little care and attention to ensure they can be enjoyed by generations to come. The following information will help you care for your Jordan products in the best possible way.

Timber Oil Finish

Timber is a natural product that will respond to its environmental conditions. For timber products with an oil finish we recommend that you pay particular attention to protecting the piece from hot or wet objects. Do not leave liquid to sit on timber surfaces as it will penetrate the surface and cause staining. Wipe up spills immediately with a damp cloth.

Dependant on the position of the piece and the conditions of your home, we recommend re-oiling once a year. We advise having your furniture re-oiled at least once by our professional craftspeople to learn the correct application techniques. In some cases, an additional application may be required after the first six months. Oil care packages are available from your nearest Jordan store.

Do not use any other cleaners or polishes as they may permanently damage your furniture. Slab or underfloor heating can be damaging to solid timber products. The heat causes the bottom side to dry out differently to the top which can cause bowing, warping or cracking. We advise that you do not keep solid timber pieces on underfloor heating.

Contact

For more information visit our website. If you can't find what you're looking for our friendly sales team will be happy to help, contact your nearest Jordan store.

jardan.com.au
