



Huxley

Taking cues from a beloved era, Huxley has a distinct Art Deco character. An expansive undercarriage offers the flexibility needed for everyday life, whilst a geometric joint detail adds a subtle playful touch.

Tailor Huxley to suit your space with our extensive collection of finishes and materials. The Jordan website will allow you to select your preference then further customse.

Available Materials

- Solid oak top with solid oak base
- Veneer oak top with solid oak base

Specifications

Crafted

Australian made since 1987, our furniture takes shape at our Design + Manufacturing HQ in Melbourne.

Environmental

Our timber is sourced from sustainably managed forests and available with a selection of finishes.

Warranty

Made to last, our tables are covered by a 5 year structural warranty.

Dining Tables



HUX180 – Available in solid oak or veneer top
1800L x 950D x 748H (mm) | 6 Seater
71L x 37D x 29H (inches)



HUX210 – Available in solid oak or veneer top
2100L x 950D x 748H (mm) | 6 Seater
83L x 37D x 29H (inches)



HUX240 – Available in solid oak or veneer top
2400L x 950D x 748H (mm) | 8 Seater
94L x 37D x 29H (inches)



HUX240W – Available in solid oak or veneer top
2400L x 1100D x 748H (mm) | 8 Seater
94L x 43D x 29H (inches)



HUX270 – Available in solid oak or veneer top
2700L x 1100D x 748H (mm) | 10 Seater
106L x 43D x 29H (inches)



HUX300 – Available in solid oak or veneer top
3000L x 1100D x 748H (mm) | 10 Seater
118L x 43D x 29H (inches)

Table Tops

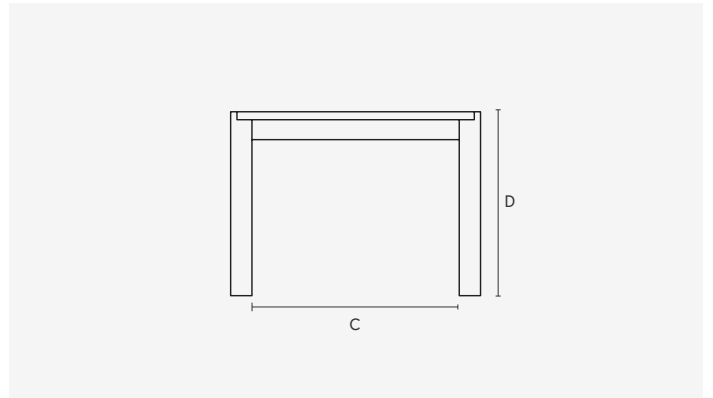
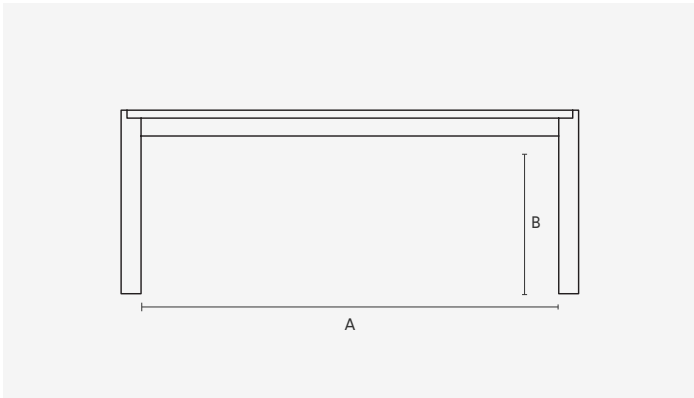


Solid Oak Top



Veneer Oak Top

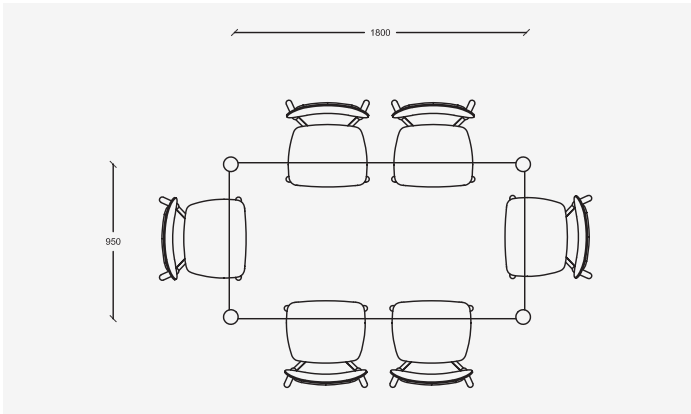
Technical Specifications



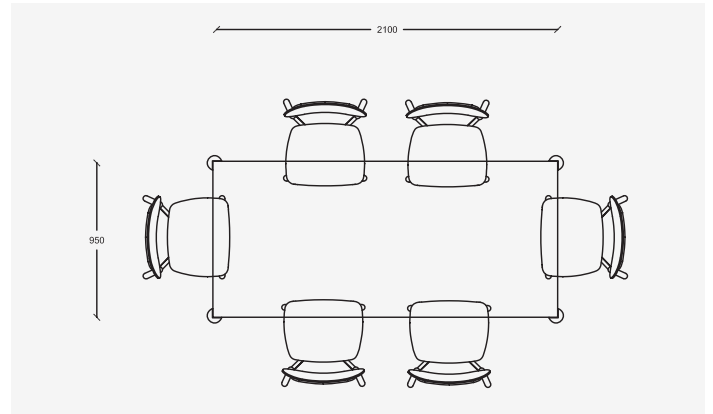
Angle 1 | A Leg Inset Long Edge | B Clearance Height From Rail | C Leg Inset Short Edge | D Height

| | A (mm/inches) | B (mm/inches) | C (mm/inches) | D (mm/inches) |
|---------|---------------|---------------|---------------|---------------|
| HUX180 | 1690/67 | 648/26 | 840/33 | 748/29 |
| HUX210 | 1990/78 | 648/26 | 840/33 | 748/29 |
| HUX240 | 2290/90 | 648/26 | 840/33 | 748/29 |
| HUX240W | 2290/90 | 648/26 | 1040/41 | 748/29 |
| HUX270 | 2590/102 | 648/26 | 1040/41 | 748/29 |
| HUX300 | 2890/102 | 648/26 | 1040/41 | 748/29 |

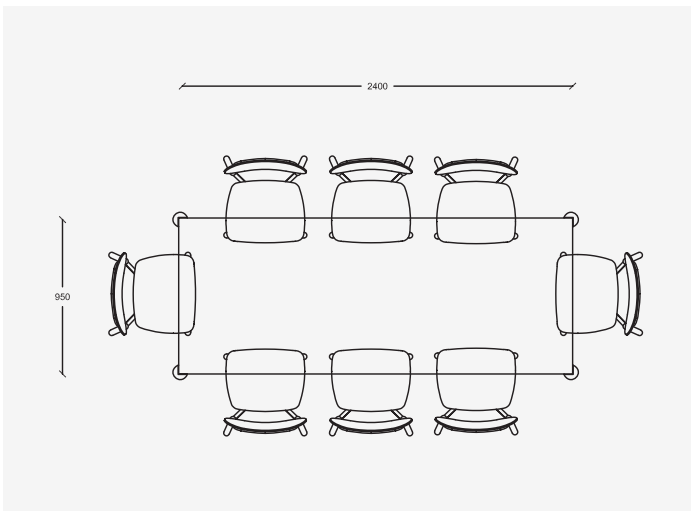
Seating Arrangements



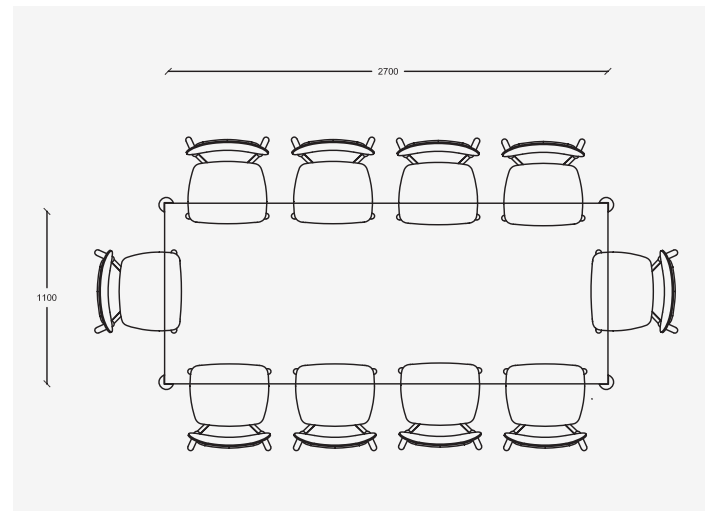
HUX180 | Seating for 6 chairs
Chair Shown MK53 | McKenzie – 528 537L x 528D



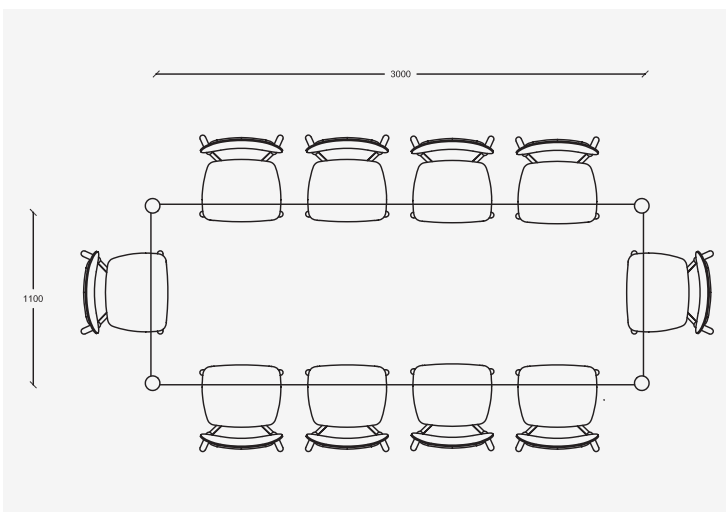
HUX210 | Seating for 6 chairs



HUX240 | Seating for 8 chairs



HUX270 | Seating for 10 chairs



HUX300 | Seating for 10 chairs