



Flo

Flo represents versatility at its most prevalent and is our most flexible table range to date. With an elegant but complex undercarriage allowing for both hidden cable management as well as power and data running down the leg. Power and data can then be easily accessed through seamless panels attached with hidden magnets.

Flo comes in a range of sizes, the Jordan website will allow you to select your preference then further customise finishes.

Available Materials

Timber - Oak and Walnut

Features

Cable Management System

Specifications

Crafted

Australian made since 1987, our furniture takes shape at our Design + Manufacturing HQ in Melbourne.

Environmental

Our timber is sourced from sustainably managed forests and available with a selection of finishes.

Warranty

Made to last, our tables are covered by a 5 year structural warranty.

Low Tables



FO60L — 600L x 600D x 350H (mm)
24L x 24D x 14H (inches)



FO80L — 800L x 800D x 350H (mm)
32L x 32D x 14H (inches)



FO100L — 1000L x 1000D x 350H (mm)
39L x 39D x 14H (inches)



FO60H — 600L x 600D x 450H (mm)
24L x 24D x 18H (inches)



FO80H — 800L x 800D x 450H (mm)
32L x 32D x 18H (inches)



FO100H — 1000L x 1000D x 450H (mm)
39L x 39D x 18H (inches)

Break Out Table



FO80 – 800L x 800D x 650H (mm)
32L x 32D x 26H (inches)

Dining Tables



FO90 – 900L x 900D x 720H (mm) | 3 Seater
35L x 35D x 28H (inches)



FO120 – 1200L x 1200D x 720H (mm) | 4 Seater
47L x 47D x 28H (inches)



FO150 – 1500L x 1500D x 720H (mm) | 6 Seater
59L x 59D x 28H (inches)



FO180 – 1800L x 1800D x 720H (mm) | 8 Seater
74L x 74D x 28H (inches)



FO210 – 2100L x 1100D x 720H (mm) | 8 Seater
83L x 43D x 28H (inches)



FO240 – 2400L x 1100D x 720H (mm) | 10 Seater
95L x 43D x 28H (inches)



FO270 – 2700L x 1100D x 720H (mm) | 10 Seater
106L x 43D x 28H (inches)



FO300 – 3000L x 1100D x 720H (mm) | 12 Seater
118L x 43D x 28H (inches)

Bar Tables



FOB120 — 1200L x 1200D x 1050H (mm) | 4 Seater
47L x 47D x 41H (inches)



FOB150 — 1500L x 1500D x 1050H (mm) | 6 Seater
59L x 59D x 41H (inches)



FOB210 — 2100L x 1100D x 1050H (mm) | 8 Seater
83L x 43D x 41H (inches)



FOB240 — 2400L x 1100D x 1050H (mm) | 10 Seater
95L x 43D x 41H (inches)



FOB270 — 2700L x 1100D x 1005H (mm) | 10 Seater
106L x 43D x 41H (inches)

Meeting Tables

Only available in Oak Veneer Top with Solid Oak Base

*All boardroom tables come with a split top



FO380 — 3800L x 1100D x 720H (mm) | 14 Seater
150L x 43D x 28H (inches)



FO380W — 3800L x 1400D x 720H (mm) | 16 Seater
150L x 55D x 28H (inches)

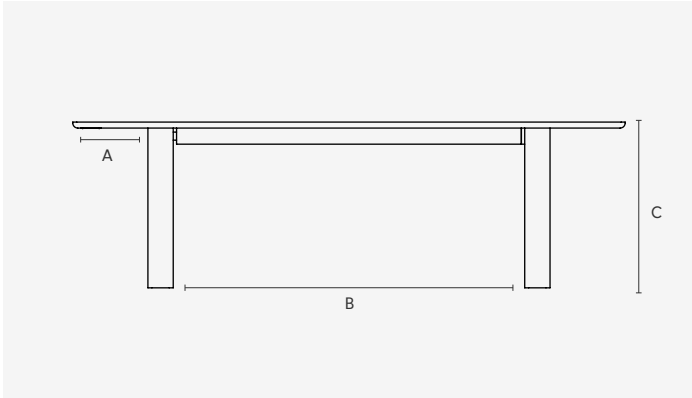


FO440 — 4400L x 1100D x 720H (mm) | 16 Seater
173L x 43D x 28H (inches)



FO440W — 4400L x 1400D x 720H (mm) | 18 Seater
173L x 55D x 28H (inches)

Technical Specifications



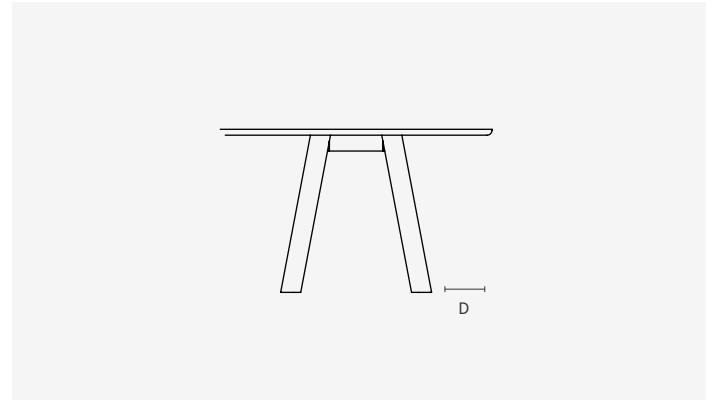
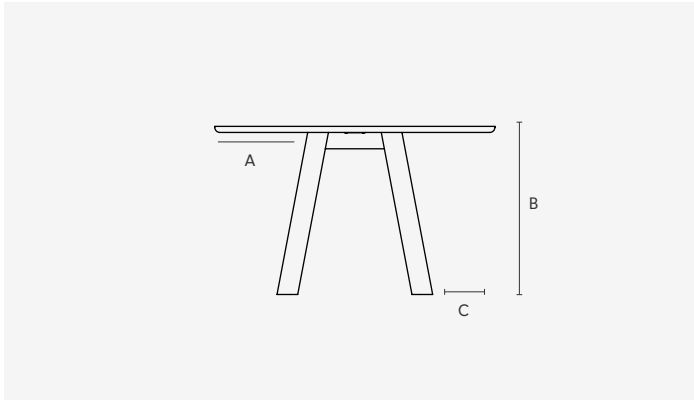
Angle 1 | A Leg Inset Short Edge | B Space Between Legs | C Table Height



Angle 2 | D Leg Inset Long Edge

	A (mm/inches)	B (mm/inches)	C (mm/inches)
FO210	327/13	1227/48	720/28
FO240	327/13	1527/60	720/28
FO270	327/13	1827/72	720/28
FO300	327/13	2127/84	720/28
FO380	327/13	1409/55	720/28
FO380W	327/13	1409/55	720/28
FO440	327/13	1709/67	720/28
FO440W	327/13	1709/67	720/28
FOB210	327/13	1227/48	1050/41
FOB240	327/13	1527/60	1050/41
FOB270	327/13	1827/72	1050/41

	D (mm/inches)
FO210	127/50
FO240	127/50
FO270	127/50
FO300	127/50
FO380	127/50
FO380W	127/50
FO440	127/50
FO440W	127/50
FOB210	114/45
FOB240	114/45
FOB270	114/45



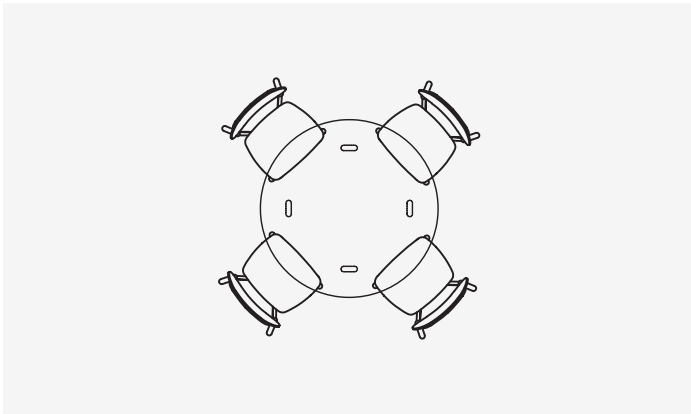
Angle 1 | A Table Top Overhang | B Table Height | C Leg Inset

Angle 1 | D Leg Inset Long Edge

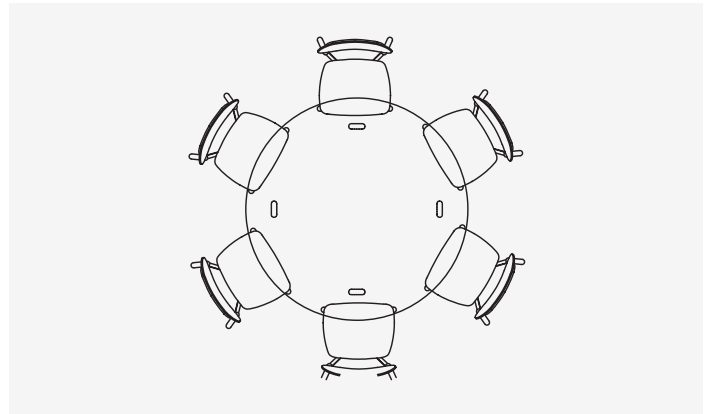
	A (mm/inches)	B (mm/inches)	C (mm/inches)
FO60H	208/8	450/18	73/3
FO60L	208/8	350/14	104/4
FO80	241/10	651/26	73/3
FO80H	241/10	450/18	85/3
FO80L	241/10	347/14	122/5
FO90	286/11	720/28	126/5
FO100H	266/10	720/28	111/4
FO100L	271/11	350/14	152/6
FO120	360/14	720/28	173/7
FO150	360/14	720/28	173/7
FO180	359/14	720/28	173/7
FOB120	360/14	1050/41	161/6
FOB150	360/14	1050/41	161/6

	D (mm/inches)
FO60H	63/3
FO60L	100/4
FO80	73/3
FO80H	85/3
FO80L	122/5
FO90	126/5
FO100H	111/4
FO100L	152/6
FO120	173/7
FO150	173/7
FO180	173/7
FOB120	161/6
FOB150	161/6

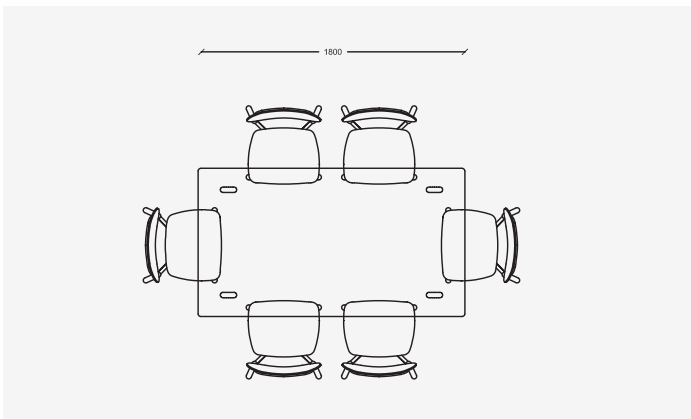
Seating Arrangements



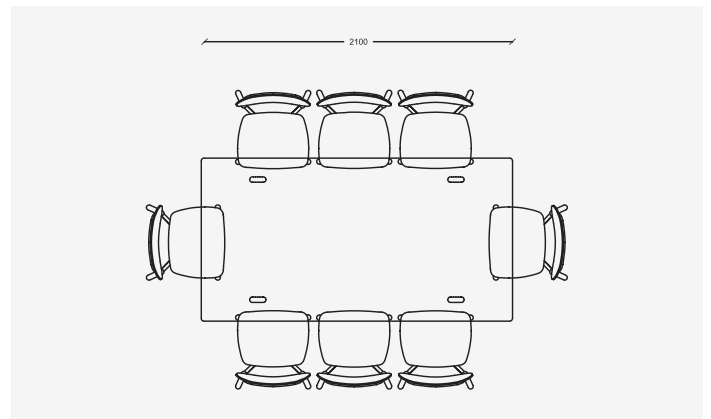
FO120 | Seating for 4 chairs
Chair Shown MK53 | McKenzie – 528 537L x 528D (mm)
21 21L x 21D (inches)



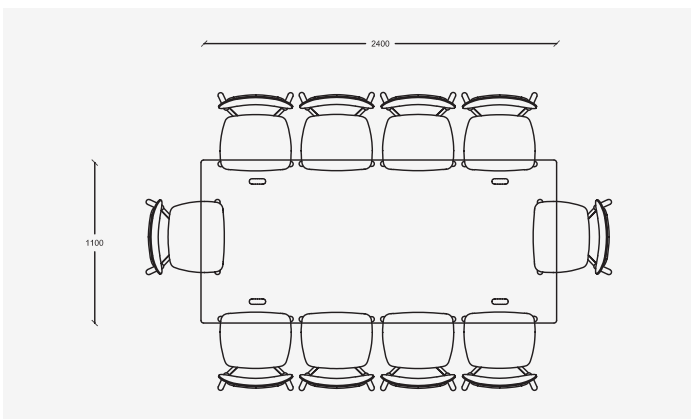
FO150 | Seating for 6 chairs



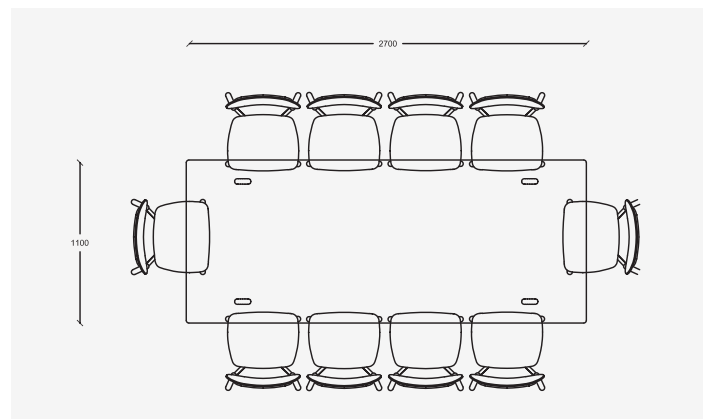
FO180 | Seating for 6 chairs



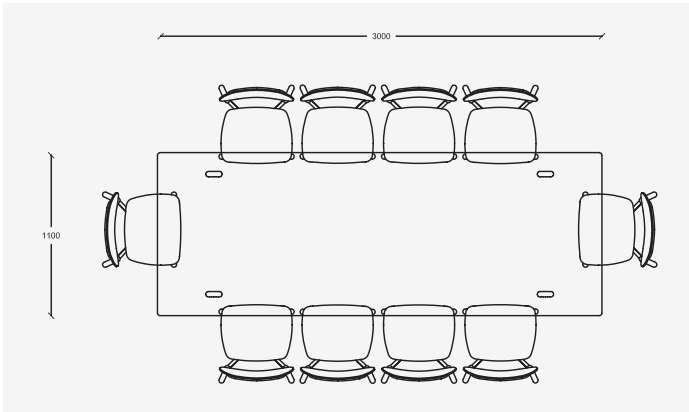
FO210 | Seating for 8 chairs



FO240 | Seating for 10 chairs



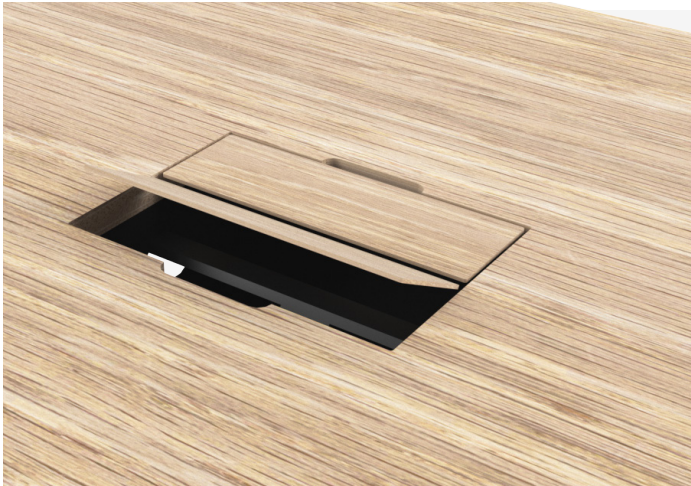
FO270 | Seating for 10 chairs



FO300 | Seating for 10 chairs

Cable Management

Various options are available at an additional cost. For more information contact your Jordan Sales Representative.



Accessed through seamless panels