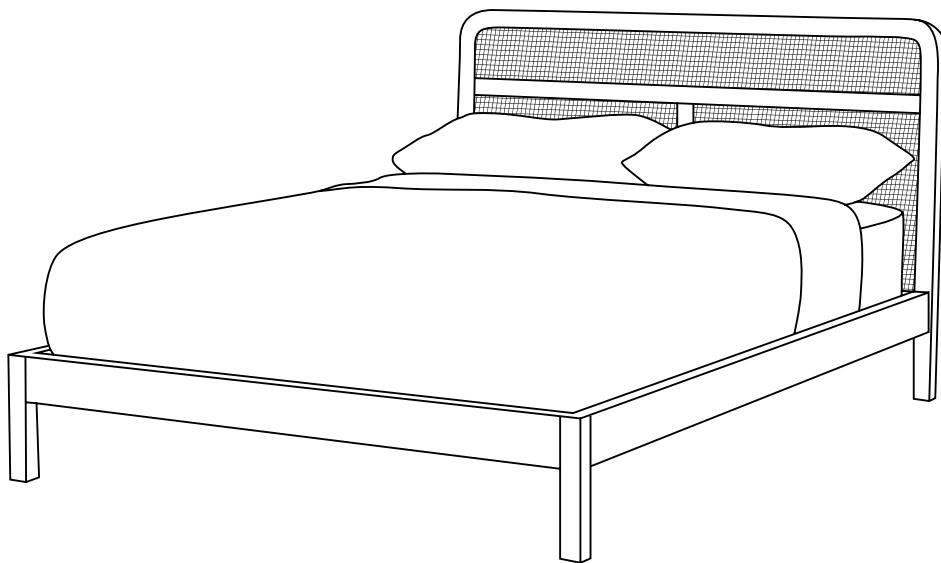

JARDAN

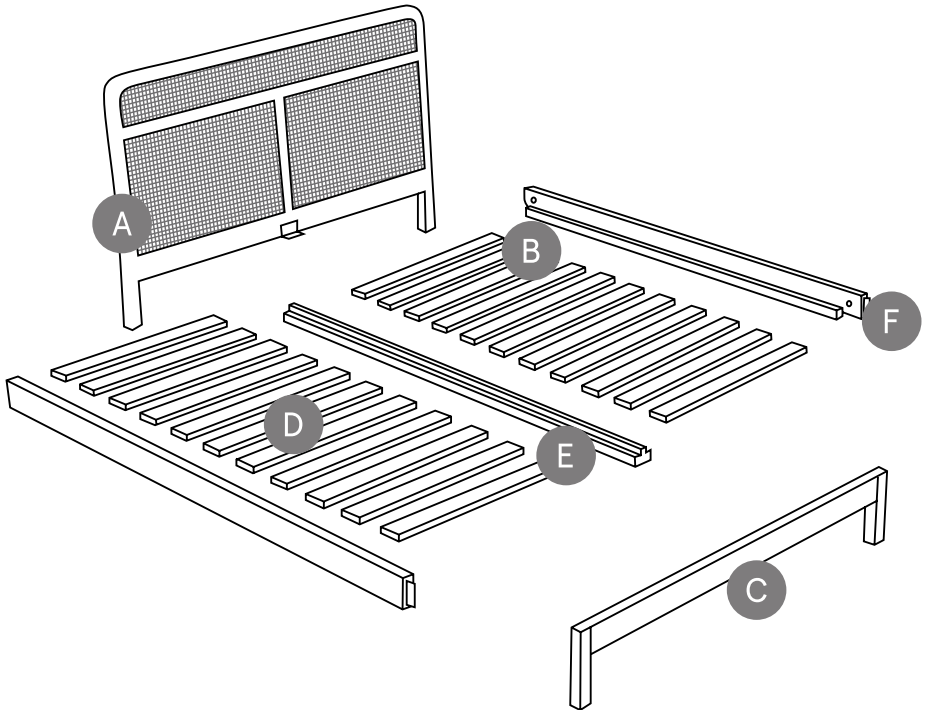
Willow Bed

Assembly Instructions



JARDAN

Willow Bed Assembly Instructions



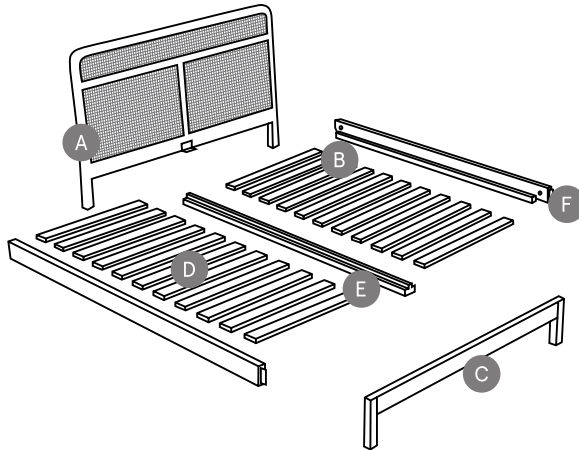
Components

Required

A 1 x Headboard	1 x 4mm Allen key
B 2 x Side rails	1 x 5mm Allen key
C 1 x Foot rail	2 x People (minimum)
D 2 x Slat rolls	
E 1 x Center rail	
F 4 x Rail bolt fasteners	

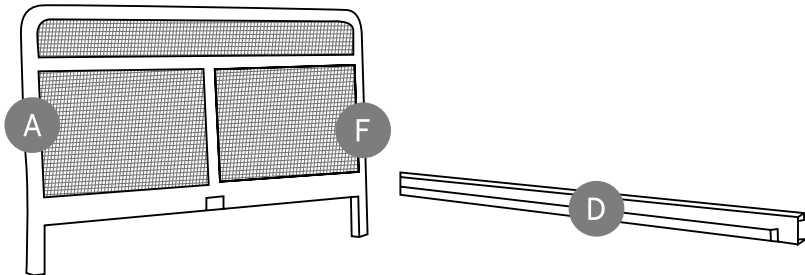
JARDAN

Willow Bed Assembly Instructions



1

Unwrap and familiarise yourself with all the components. Both the headboard A and the foot rail C will have brackets pre-fixed to align and fasten the center rail. When arranging the frame please note the side rails B and center rail E are directional. Align so all the threaded inserts G are at the headboard end.

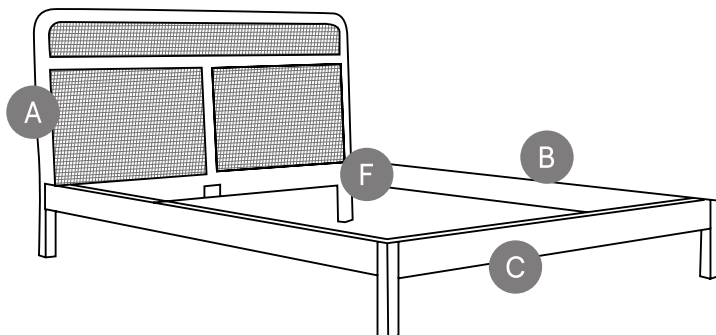


2

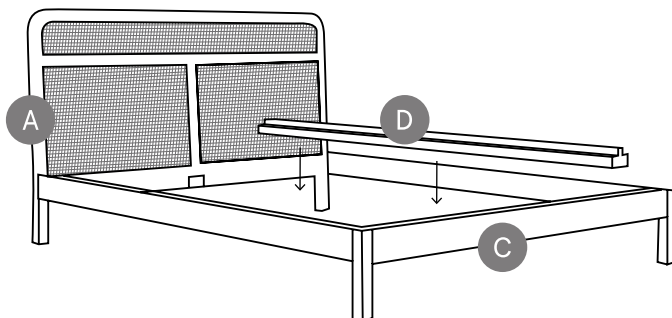
Push the headboard A and the foot rail C into the side rails B. Insert rail bolt fasteners F at each corner of the bed frame and tighten using the 5mm Allen key.

JARDAN

Willow Bed Assembly Instructions



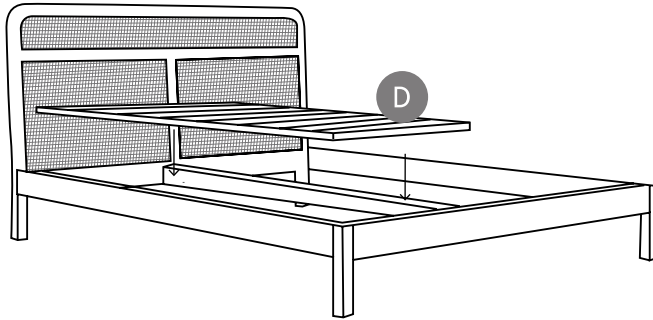
- 3** Headboard A and the foot rail C are now fastened together. If required tighten rail bolt fasteners F at each corner of the bed frame using the 5mm Allen key.
-



- 4** Place the center rail E by aligning the holes on the underside of the rail to the pins on the bracket attached to the bed frame at A and C.
-

JARDAN

Willow Bed Assembly Instructions



- 5** Unroll the slats D using the dowel attachments at each end of the frame as locators to hold the first and last slat in place. Repeat for the second slat roll.

JARDAN

Care and Maintenance

Our philosophy is simple, we only make furniture that lasts. Over their lifetime our products will need a little care and attention to ensure they can be enjoyed by generations to come. The following information will help you care for your Jordan products in the best possible way.

Rattan

To keep Rattan hydrated, looking its best and to prevent it from drying out spray or wipe down with a damp cloth every 6-12 months.

Timber Oil Finish

Timber is a natural product that will respond to its environmental conditions. For timber products with an oil finish we recommend that you pay particular attention to protecting the piece from hot or wet objects. Do not leave liquid to sit on timber surfaces as it will penetrate the surface and cause staining. Wipe up spills immediately with a damp cloth.

Dependant on the position of the piece and the conditions of your home, we recommend re-oiling once a year. We advise having your furniture re-oiled at least once by our professional craftspeople to learn the correct application techniques. In some cases, an additional application may be required after the first six months. Oil care packages are available from your nearest Jordan store.

Do not use any other cleaners or polishes as they may permanently damage your furniture. Slab or underfloor heating can be damaging to solid timber products. The heat causes the bottom side to dry out differently to the top which can cause bowing, warping or cracking. We advise that you do not keep solid timber pieces on underfloor heating.

Contact

For more information visit our website. If you can't find what you're looking for our friendly sales team will be happy to help, contact your nearest Jordan store.

jardan.com.au
