

---

JARDAN

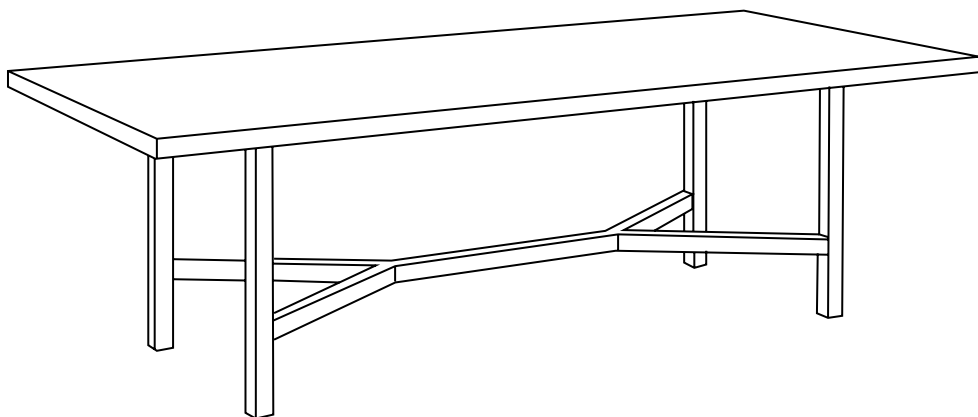
---

# Cooper

---

Assembly Instructions

---



---

Cooper Table

---

[jardan.com.au](http://jardan.com.au)

---

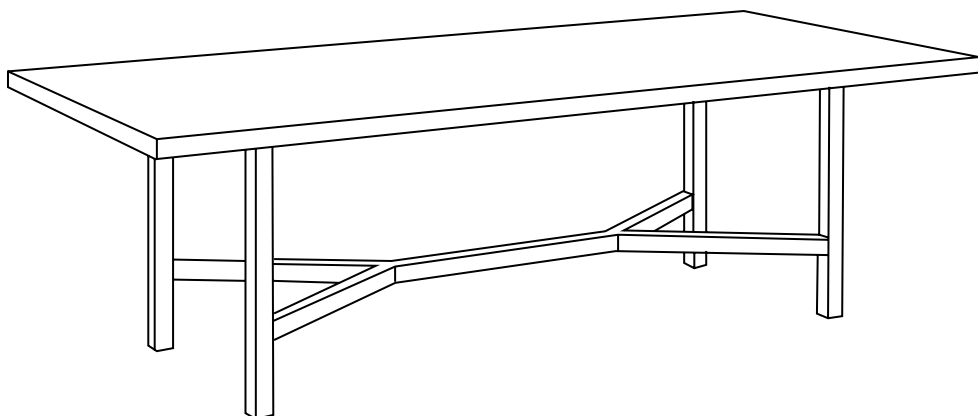
---

# JARDAN

---

## Cooper Assembly Instructions

---



---

### Components

- A 1 x Table top
- B 1 x Base
- C 20 x Screws

---

### Required

Phillips head screw driver

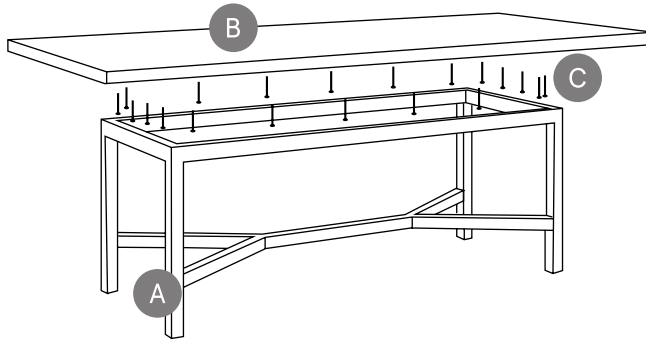
---

# JARDAN

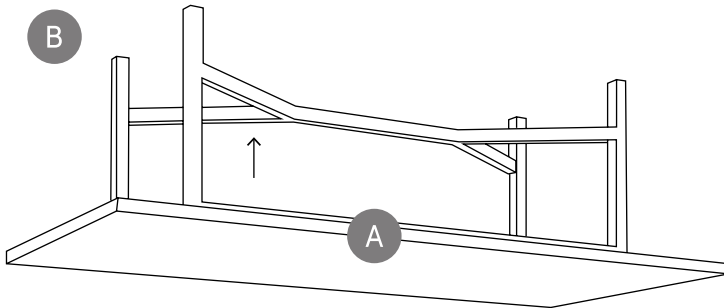
---

## Cooper Assembly Instructions

---



- 1** Unwrap and familiarise yourself with all the components. Note: When delivered the support frame B and the table top A are already fixed together.



- 2** Place table top B carefully onto the base A. Ensure the top B is positioned correctly and in the middle of the base. Note: There is a X marked on top B and on the inside of the base A to assist you with placing the table the correct way.

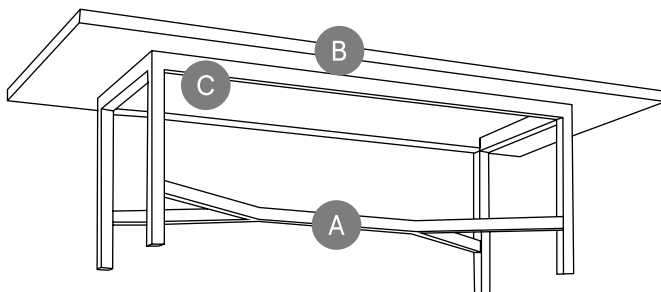
---

# JARDAN

---

## Cooper Assembly Instructions

---



**3**

Fit the table top B onto the table base A by securing with the screws C. Repeat this process on all screw holes in the base A. Make sure the screws are tight to avoid bowing.

---

---

# JARDAN

---

## Care and Maintenance

---

Our philosophy is simple, we only make furniture that lasts. Over their lifetime our products will need a little care and attention to ensure they can be enjoyed by generations to come. The following information will help you care for your Jordan products in the best possible way.

---

## Timber Oil Finish

---

Timber is a natural product that will respond to its environmental conditions. For timber products with an oil finish we recommend that you pay particular attention to protecting the piece from hot or wet objects. Do not leave liquid to sit on timber surfaces as it will penetrate the surface and cause staining. Wipe up spills immediately with a damp cloth.

Dependant on the position of the piece and the conditions of your home, we recommend re-oiling once a year. We advise having your furniture re-oiled at least once by our professional craftspeople to learn the correct application techniques. In some cases, an additional application may be required after the first six months. Oil care packages are available from your nearest Jordan store.

Do not use any other cleaners or polishes as they may permanently damage your furniture. Slab or underfloor heating can be damaging to solid timber products. The heat causes the bottom side to dry out differently to the top which can cause bowing, warping or cracking. We advise that you do not keep solid timber pieces on underfloor heating.

---

## Contact

---

For more information visit our website. If you can't find what you're looking for our friendly sales team will be happy to help, contact your nearest Jordan store.

---

[jardan.com.au](http://jardan.com.au)

---