



Bandy

Hand-turned and shaped to perfection, Bandy is both distinctive and versatile. Made to order from compacted solid timber with four distinctive profiles, this adaptable range includes side tables stools and dining tables.

Bandy comes in a range of sizes, the Jordan website will allow you to select your preference then further customise finishes.

Available Materials

Timber

Specifications

Crafted

Australian made since 1987, our furniture takes shape at our Design + Manufacturing HQ in Melbourne.

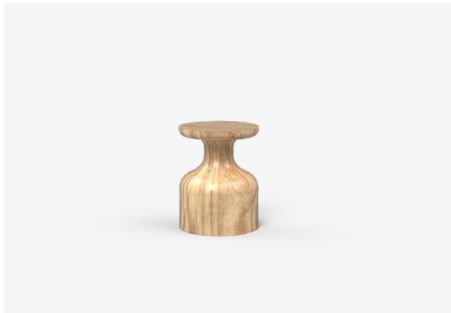
Environmental

Our timber is sourced from sustainably managed forests and available with a selection of finishes.

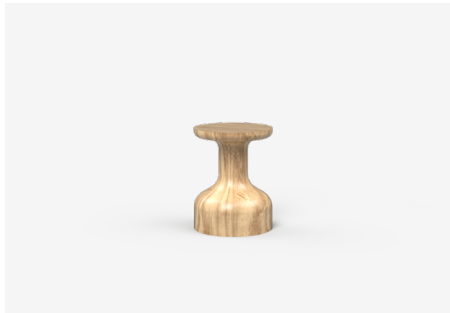
Warranty

Made to last, our tables are covered by a 5 year structural warranty.

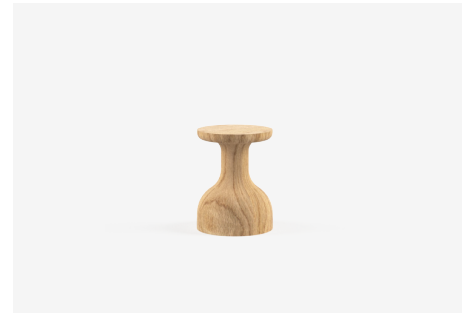
Side Tables



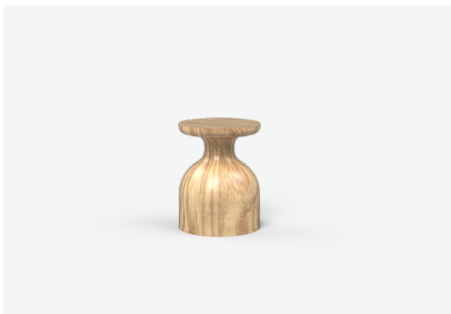
BN35HB — 350L x 350W x 450H



BN35LB — 350L x 350W x 450H



BN35LG — 350L x 350W x 450H



BN35HG — 350L x 350W x 450H



Coffee Tables



BN80LB — 800L x 800W x 550H



BN80LG — 800L x 800W x 550H



BN120LB — 1200L x 1200W x 550H



BN120LG — 1200L x 1200W x 550H

Dining Tables



BN90LB — 900L x 900W x 730H | 3 Seater



BN90LG — 900L x 900W x 730H | 3 Seater

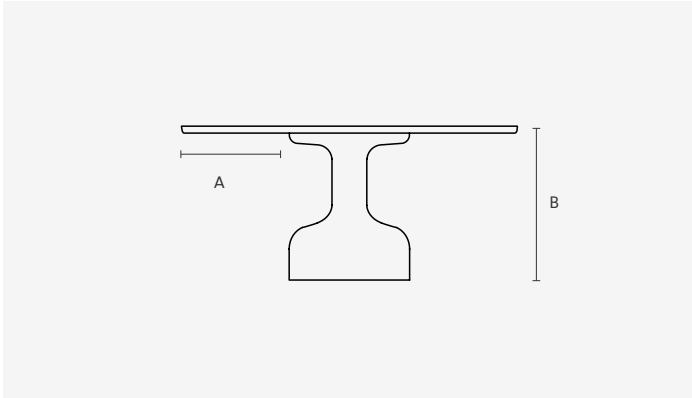


BN110LB — 1100L x 1100W x 730H | 4 Seater



BN110LG — 1100L x 1100W x 730H | 4 Seater

Technical Specifications



A Leg Inset | B Table Height

	A	B
BN80LB	225	549
BN80LG	225	549
BN90LB	275	729
BN90LG	275	729
BN110LB	335	729
BN110LG	335	729
BN120LB	385	543
BN120LG	385	549