



Bandy

Hand-turned and shaped to perfection, Bandy is both distinctive and versatile. Made to order from compacted solid timber with four distinctive profiles, this adaptable range includes side tables stools and dining tables.

Bandy comes in a range of sizes, the Jordan website will allow you to select your preference then further customise finishes.

Available Materials

Timber

Specifications

Crafted

Australian made since 1987, our furniture takes shape at our Design + Manufacturing HQ in Melbourne.

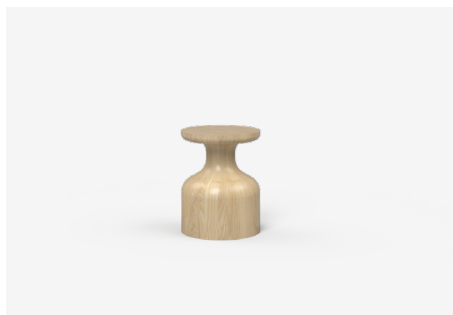
Environmental

Our timber is sourced from sustainably managed forests and available with a selection of finishes.

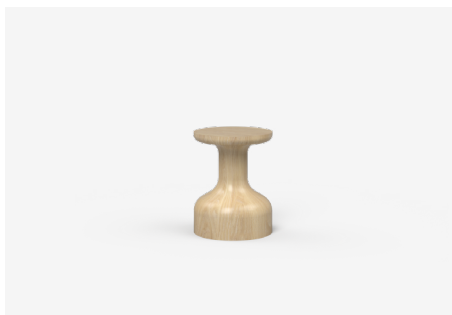
Warranty

Made to last, our tables are covered by a 5 year structural warranty.

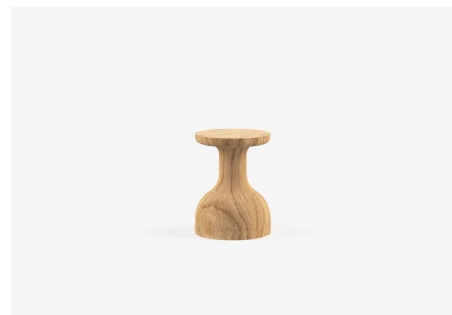
Side Tables



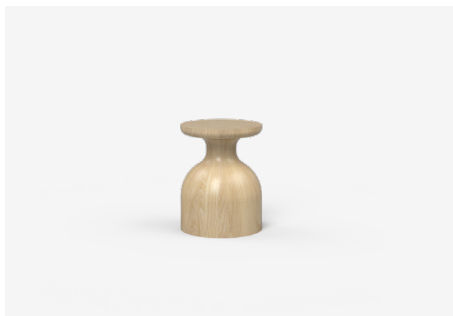
BN35HB — 350L x 350W x 450H (mm)
14L x 14W x 18H (inches)



BN35LB — 350L x 350W x 450H (mm)
14L x 14W x 18H (inches)



BN35LG — 350L x 350W x 450H (mm)
14L x 14W x 18H (inches)



BN35HG — 350L x 350W x 450H (mm)
14L x 14W x 18H (inches)



Coffee Tables



BN80LB — 800L x 800W x 550H (mm)
31L x 31W x 22H (inches)



BN80LG — 800L x 800W x 550H (mm)
31L x 31W x 22H (inches)



BN120LB — 1200L x 1200W x 550H (mm)
47L x 47W x 22H (inches)



BN120LG — 1200L x 1200W x 550H (mm)
47L x 47W x 22H (inches)

Dining Tables



BN90LB — 900L x 900W x 730H (mm) | 3 Seater
35L x 35W x 29H (inches)



BN90LG — 900L x 900W x 730H (mm) | 3 Seater
35L x 35W x 29H (inches)

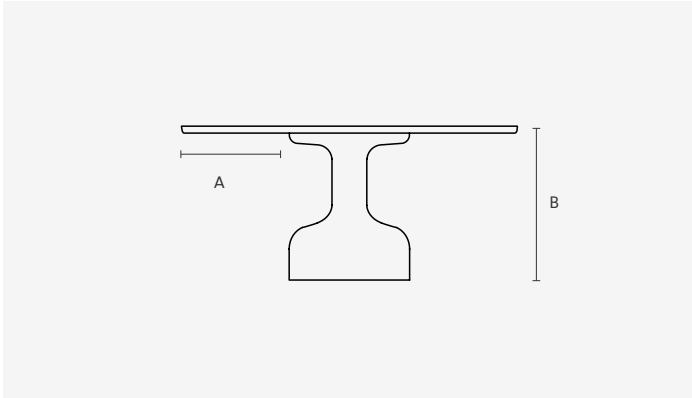


BN110LB — 1100L x 1100W x 730H (mm) | 4 Seater
43L x 43W x 29H (inches)



BN110LG — 1100L x 1100W x 730H (mm) | 4 Seater
43L x 43W x 29H (inches)

Technical Specifications



A Leg Inset | B Table Height

	A (mm/inches)	B (mm/inches)
BN80LB	225/9	549/22
BN80LG	225/9	549/22
BN90LB	275/11	729/29
BN90LG	275/11	729/29
BN110LB	335/13	729/29
BN110LG	335/13	729/29
BN120LB	385/15	543/21
BN120LG	385/15	549/22