



Arte

Drawing inspiration from stone-like forms, Arte possesses a distinctly sculptured profile. Arte is defined by its geometric top shape and intricate leg detail, made by laminating timber and then turning the round profile to create an abstract sunburst effect. Each and every leg is unique in both form and colour.

Tailor Arte to suit your space with our extensive collection of finishes and materials. The Jordan website will allow you to select your preference then further customse.

Available Materials

Timber - Oak and Walnut

Features

Turned timber leg

Specifications

Crafted

Australian made since 1987, our furniture takes shape at our Design + Manufacturing HQ in Melbourne.

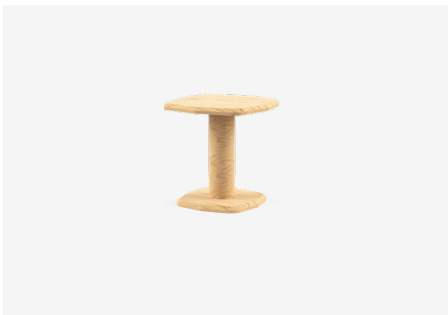
Environmental

Our timber is sourced from sustainably managed forests. Due to changes in environment, small hairline cracks may appear in legs.

Warranty

Made to last, our tables are covered by a 5 year structural warranty.

Low Tables



AE50 — 500L x 500D x 480H (mm)
20L x 20D x 19H (inches)



AE75 — 750L x 530D x 450H (mm)
30L x 21D x 18H (inches)



AE107L — 1070L x 950D x 280H (mm)
42L x 37D x 11H (inches)



AE107H — 1070L x 950D x 370H (mm)
46L x 37D x 11H (inches)



AE117L — 1170L x 530D x 280H (mm)
46L x 21D x 11H (inches)



AE117H — 1170L x 530D x 370H (mm)
46L x 21D x 15H (inches)

Dining Tables



AE100 – 1000W x 1000L x 720H (mm) | 3 Seater
39W x 39L x 28H (inches)



AE120 – 1200W x 1200L x 720H (mm) | 4 Seater
47W x 47L x 28H (inches)



AE150 – 1500W x 1500L x 720H (mm) | 6 Seater
59W x 59L x 28H (inches)



AE210 – 2100L x 1100D x 702H (mm) | 6 Seater
83L x 43D x 28H (inches)



AE240 – 2400L x 1200D x 720H (mm) | 8 Seater
95L x 47D x 28H (inches)

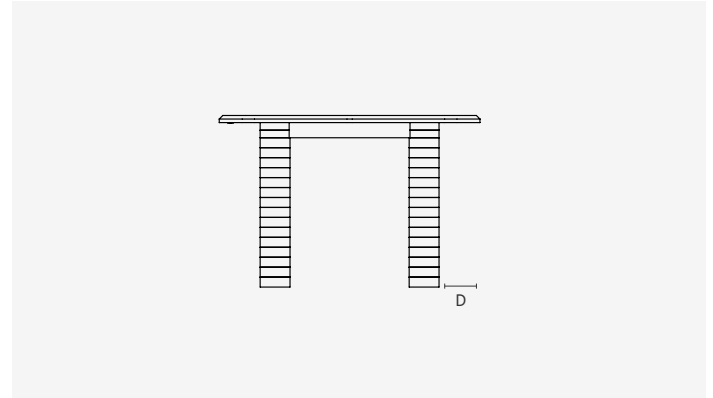
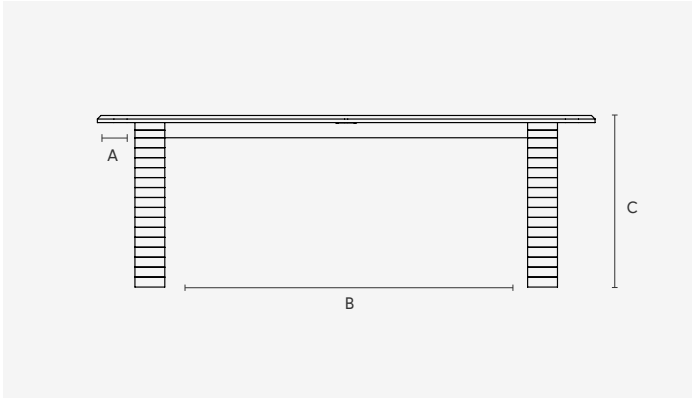


AE280 – 2800L x 1200D x 720H (mm) | 10 Seater
110L x 47D x 28H (inches)



AE300 – 3000L x 1200D x 702H (mm) | 12 Seater
118L x 47D x 28H (inches)

Technical Specifications

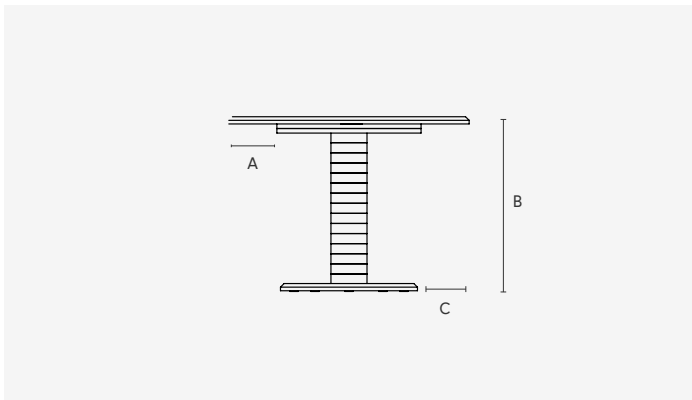


Angle 1 | A Leg Inset Short Edge | B Space Between Legs | C Table Height

Angle 2 | D Leg Inset Long Edge

	A (mm/inches)	B (mm/inches)	C (mm/inches)
AE50	55/2		485/19
AE75	20/1	458/18	450/18
AE75	20/1	458/18	450/18
AE107H	45/2	690/27	366/14
AE107L	45/2	690/27	282/11
AE117H	21/1	877/34	366/14
AE117L	21/1	877/34	282/11
AE210	159/6	1531/60	724/29
AE240	159/6	1831/72	724/29
AE280	159/6	2231/88	724/29
AE300	159/6	2431/96	724/29

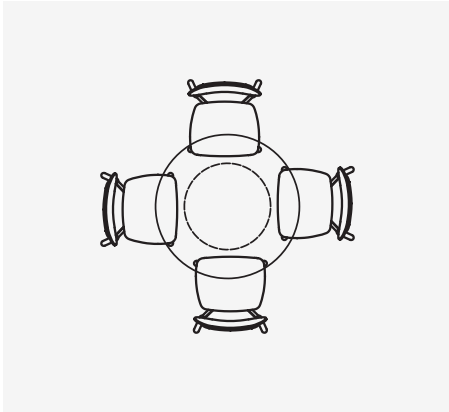
	D (mm/inches)
AE50	55/2
AE75	66/1
AE75	66/1
AE107H	71/2
AE107L	71/2
AE117H	65/1
AE117L	65/1
AE240	197/6
AE280	197/6
AE300	197/6



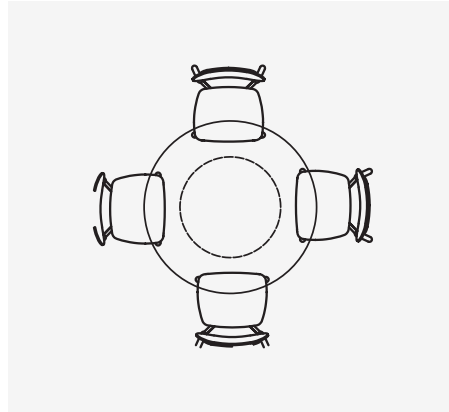
Angle 1 | A Table Top Overhang | B Table Height | C Leg Inset

	A (mm/inches)	B (mm/inches)	C (mm/inches)
AE100	215/8	724/28	215/8
AE120	260/10	724/28	260/10
AE150	325/13	724/28	325/13
AE210	159/6	724/28	172/7

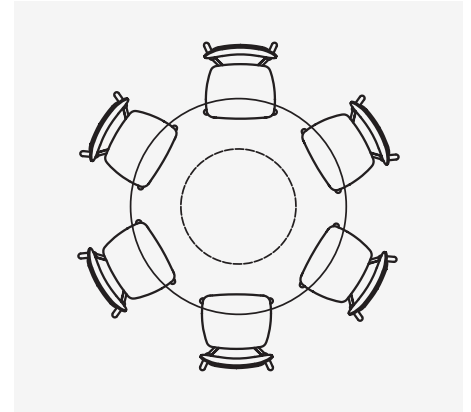
Seating Arrangements



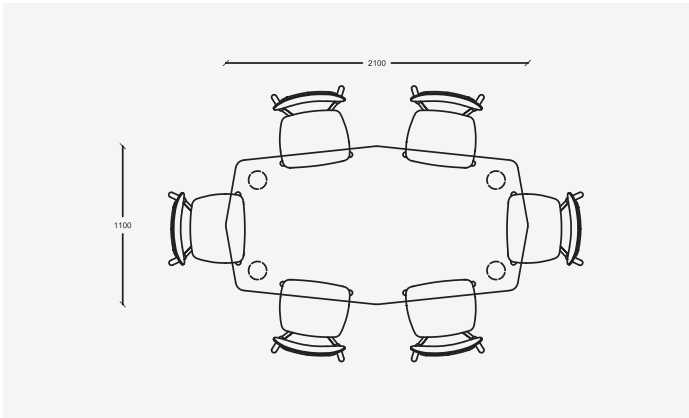
AE100 | Seating for 4 chairs
Chair Shown MK53 | Mckenzie – 528 537L x 528D (mm)
21 21L x 21D (inches)



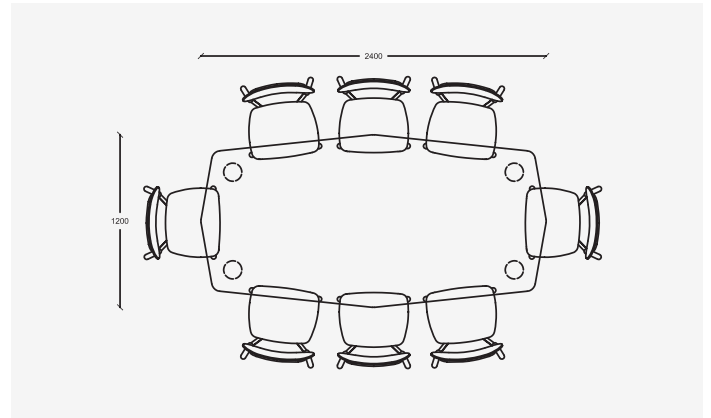
AE120 | Seating for 4 chairs



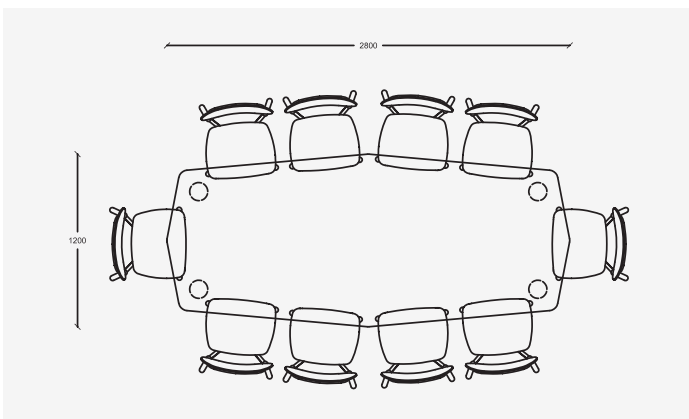
AE150 | Seating for 6 chairs



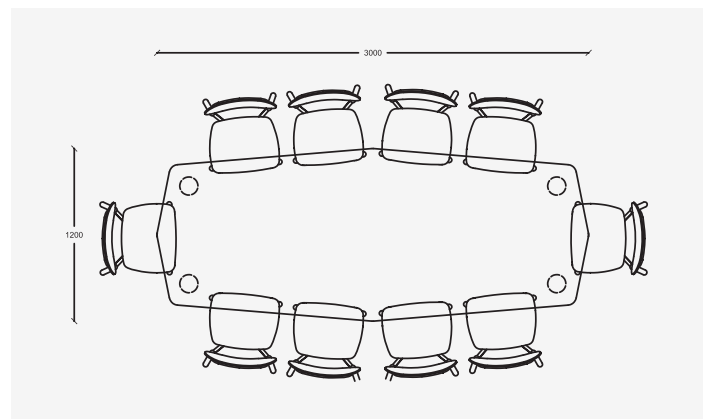
AE210 | Seating for 6 chairs



AE240 | Seating for 8 chairs



AE2800 | Seating for 10 chairs



AE300 | Seating for 10 chairs