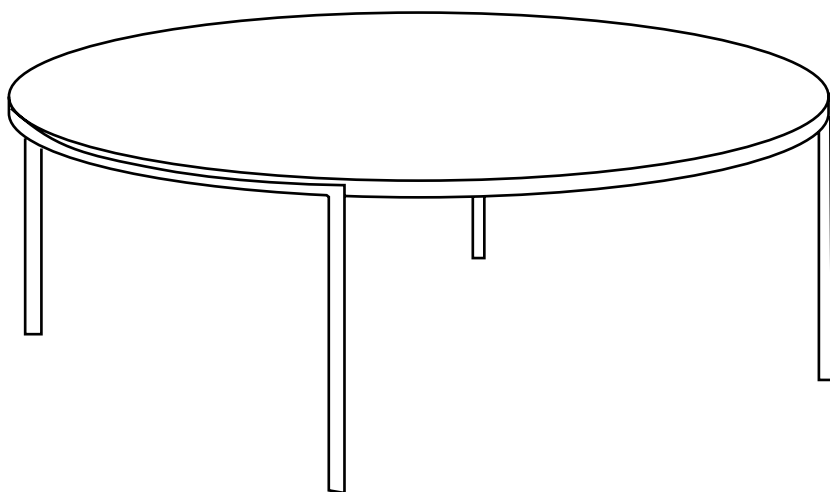

JARDAN

Alice

Assembly Instructions

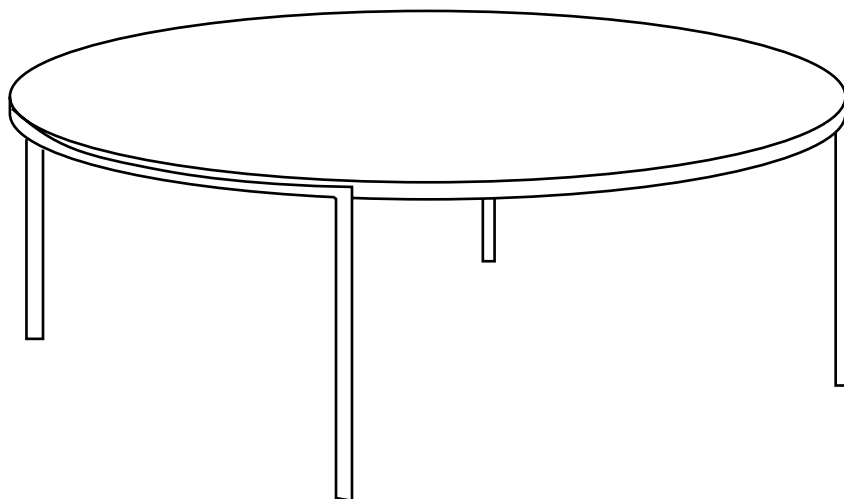


Alice Table

jardan.com.au

JARDAN

Alice Assembly Instructions



Components	Required
------------	----------

A 1 x Base

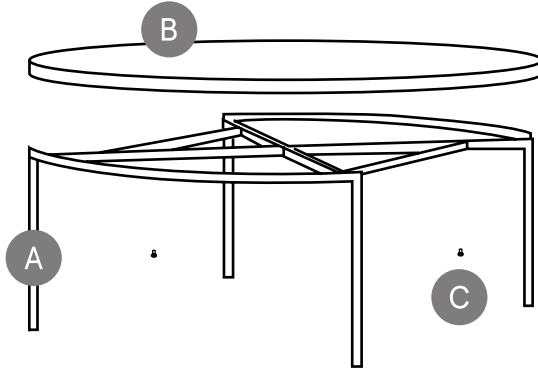
Allen Key

B 1 x Table top

C 2 x M6 bolts

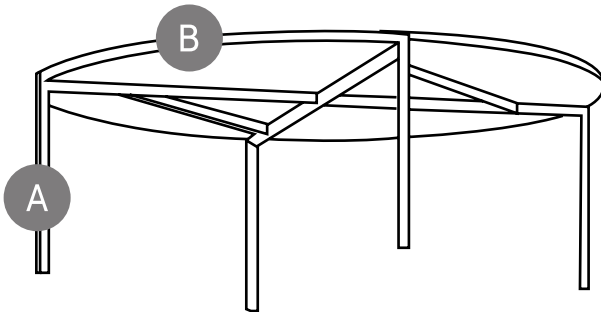
JARDAN

Alice Assembly Instructions



1

Unwrap and familiarise yourself with all components. Ensure that the Alice table base A is facing upright.

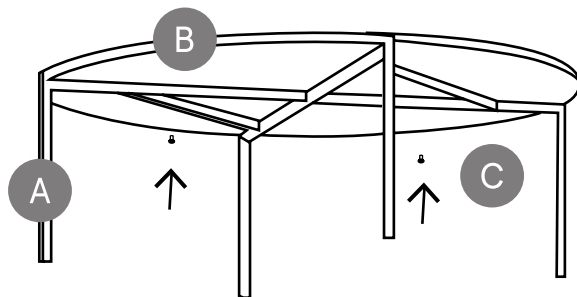


2

Using a minimum of two people, place the top B on the base A. Align holes in the top B with holes in the base A.

JARDAN

Alice Assembly Instructions



- 3** Using M6 Bolts C provided, screw through the base A into the top B to secure it.

JARDAN

Care and Maintenance

Our philosophy is simple, we only make furniture that lasts. Over their lifetime our products will need a little care and attention to ensure they can be enjoyed by generations to come. The following information will help you care for your Jordan products in the best possible way.

Powdercoated Metal

Regularly wipe metal with a damp soft cloth to remove particles which can abrade the surface with wear. Avoid contact with liquid, heat and direct sunlight. Abrasive cleaning products are not recommended.

Marble

Marble is a natural stone renowned for its unique aesthetic and character. With a honed finish and light protective coating applied, Jordan marble has a soft matt finish. Marble is naturally a porous material, making it susceptible to staining as it has an increased absorbency. It is essential that no liquids are left to sit on marble as they will penetrate the stone and cause staining. Wipe up spills immediately with a damp cloth. Clean regularly with warm soapy water, using a small amount of crème cleaner with a soft sponge or cloth for stubborn stains. Acidic liquids (orange juice, wine etc) should be avoided as they react with marble and can deteriorate the finish.

Contact

For more information visit our website. If you can't find what you're looking for our friendly sales team will be happy to help, contact your nearest Jordan store.

jardan.com.au
