

---

JARDAN

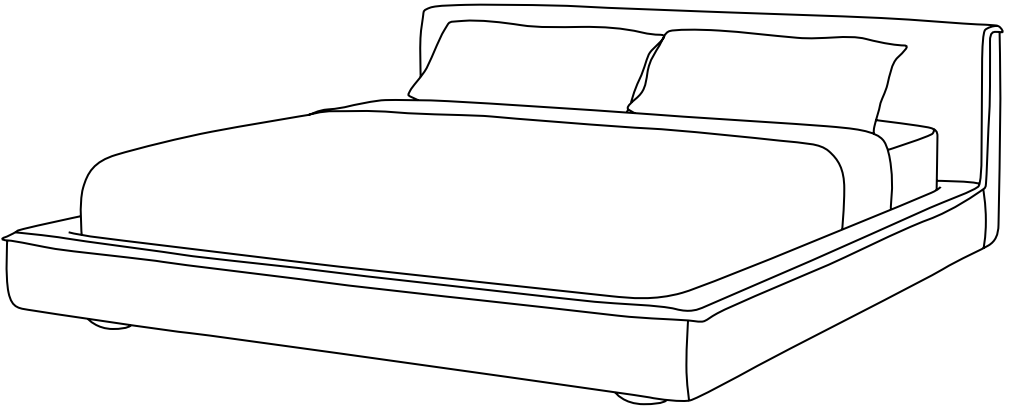
---

# Sunny Bed

---

Assembly Instructions

---



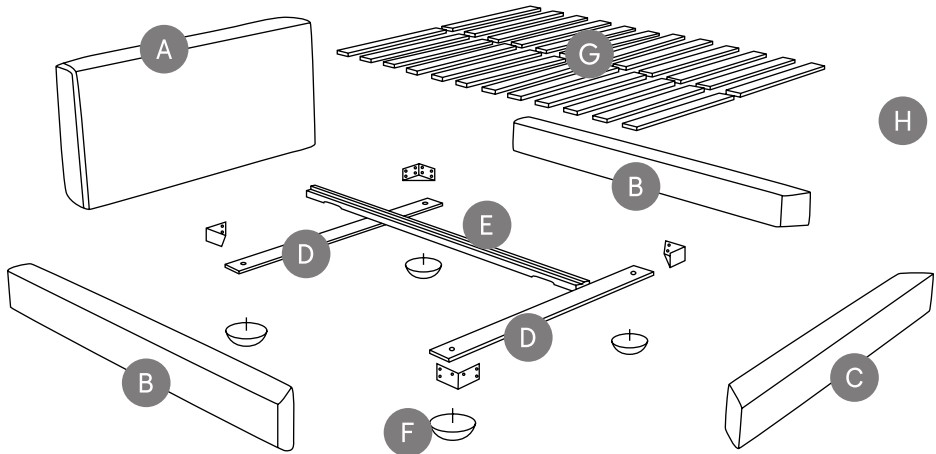
---

# JARDAN

---

## Sunny Bed Assembly Instructions

---



---

### Components

### Required

A 1 x Headboard

B 2 x Side rails

C 1 x Foot rail

D 2 x Castor rails

E 1 x Center rail

F 4 x Feet

G 2 x Slat rolls

H 24 x Hex head screws rolls

1 x Cordless Torque Drill on low setting (to prevent damage)

1 x 5/16 Hex nut socket drive

2 x People (minimum)

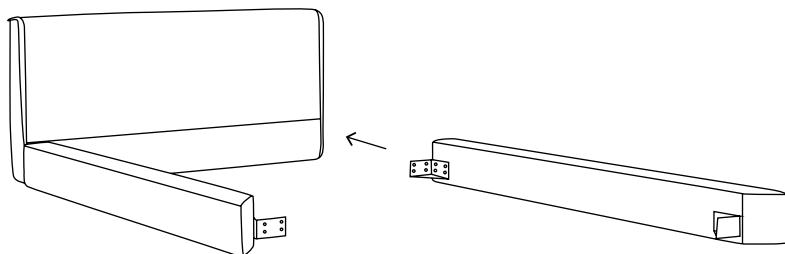
---

# JARDAN

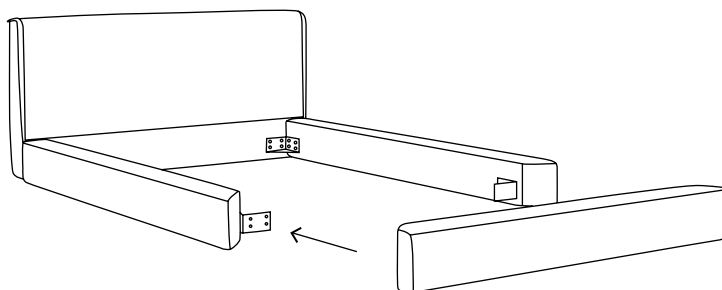
---

## Sunny Bed Assembly Instructions

---



- 1** Unwrap and familiarise yourself with all components. Loose cover will be partially attached to headboard A. Fasten side rails B to headboard A one at a time using 4 screws H.
- 



- 2** Attach foot rail C to the side rails B by fastening through the corner brackets, using 4 screws H per corner.
-

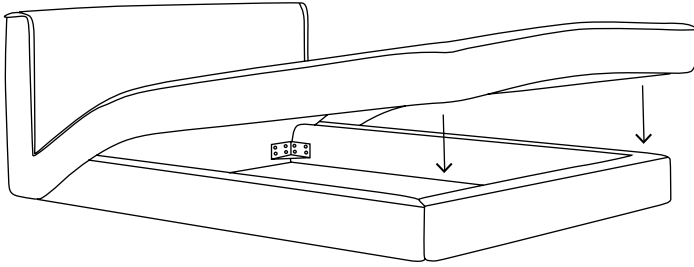
---

# JARDAN

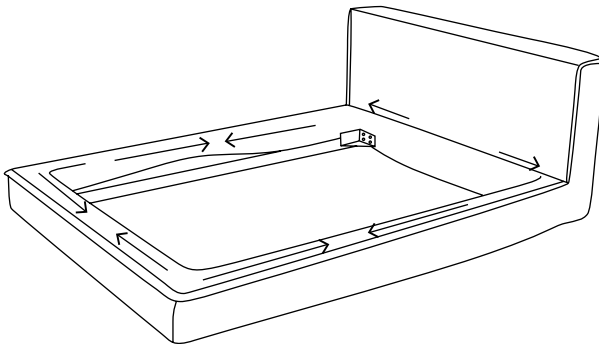
---

## Sunny Bed Assembly Instructions

---



- 3** Pull the loose cover over the foot rail C at each corner by compressing the foam until the fabric cover slides over the top. Straighten cover so the flanged edge runs straight along the edges of the frame.
- 



- 4** Remove the velcro protection strips from around the inside of the bed frame. Attach the loose cover velcro to the frame, beginning at the headboard A and working around from the corners to the center of each rail as pictured
-

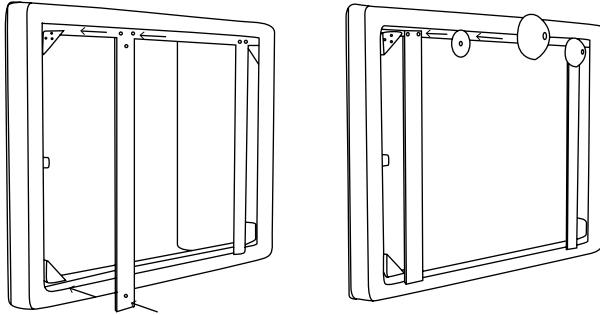
---

# JARDAN

---

## Sunny Bed Assembly Instructions

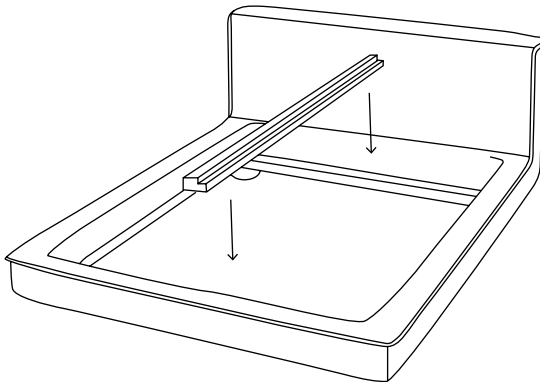
---



**5**

With at least two people, turn bed on it's side. With one person holding the frame stable, attach the two castor rails D to each end of the side rails, securing in place with 2 screws H at each end. Using the velco attachments, secure the loose cover to the underside of the side rail. Place a spacer onto each foot F and screw into location as pictured below

---



**6**

Using at least two people, rotate bed to the other side and repeat steps 5 to secure the remaining loose cover and two feet in place

---

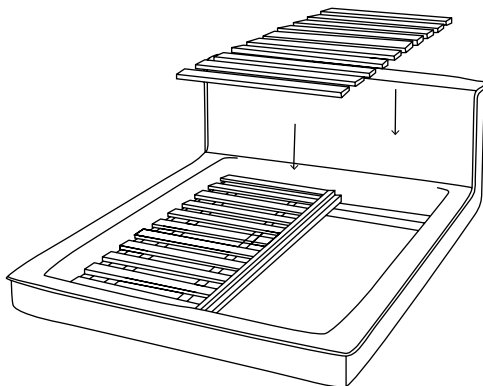
---

# JARDAN

---

## Sunny Bed Assembly Instructions

---



- 7** Place bed back into upright position, lower the center rail E onto the bed frame until it locks into the central attachments on the headboard A and foot rail C

---

# JARDAN

---

## Care and Maintenance

---

Our philosophy is simple, we only make furniture that lasts. Over their lifetime our products will need a little care and attention to ensure they can be enjoyed by generations to come. The following information will help you care for your Jordan products in the best possible way.

---

### Fabric

---

Vacuum fabrics on a weekly basis to remove dust, dirt and any loose feathers. Treat spills and stains as soon as possible by wiping with a damp cloth, do not treat with chemical cleaners or scrub as this can alter the fabrics appearance. We recommend contacting a specialist fabric cleaner to treat difficult stains. To prolong the life of your upholstery, we recommend annual cleaning by a specialist fabric cleaner. Direct sunlight may cause colour change and aging of your fabric, for best performance we recommend positioning your furniture out of direct UV light. Please refer to the Materials Library on our website for care information specific to your fabric.

---

### Timber Oil Finish

---

Timber is a natural product that will respond to its environmental conditions. For timber products with an oil finish we recommend that you pay particular attention to protecting the piece from hot or wet objects. Do not leave liquid to sit on timber surfaces as it will penetrate the surface and cause staining. Wipe up spills immediately with a damp cloth.

Dependant on the position of the piece and the conditions of your home, we recommend re-oiling once a year. We advise having your furniture re-oiled at least once by our professional craftspeople to learn the correct application techniques. In some cases, an additional application may be required after the first six months. Oil care packages are available from your nearest Jordan store.

Do not use any other cleaners or polishes as they may permanently damage your furniture. Slab or underfloor heating can be damaging to solid timber products. The heat causes the bottom side to dry out differently to the top which can cause bowing, warping or cracking. We advise that you do not keep solid timber pieces on underfloor heating.

---

### Contact

---

For more information visit our website. If you can't find what you're looking for our friendly sales team will be happy to help, contact your nearest Jordan store.

---

[jardan.com.au](http://jardan.com.au)

---