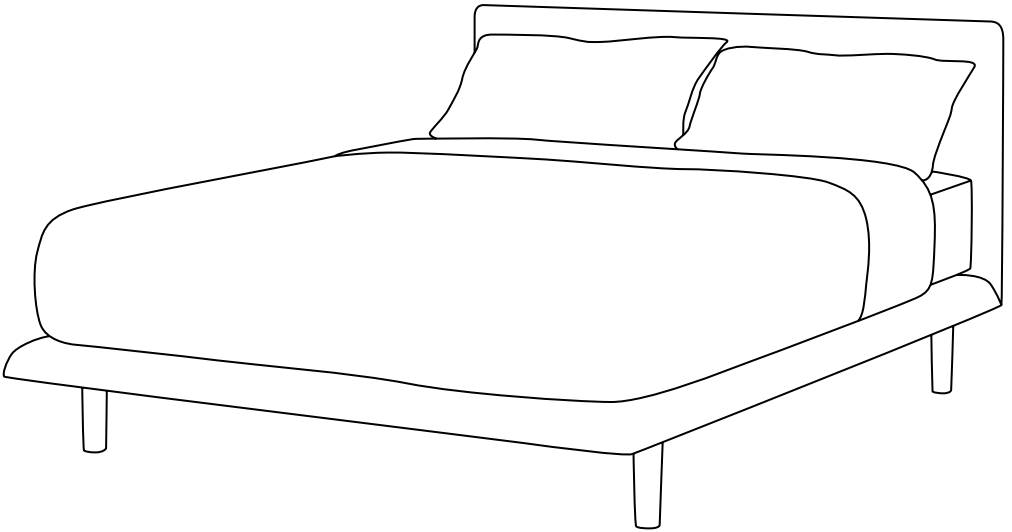

JARDAN

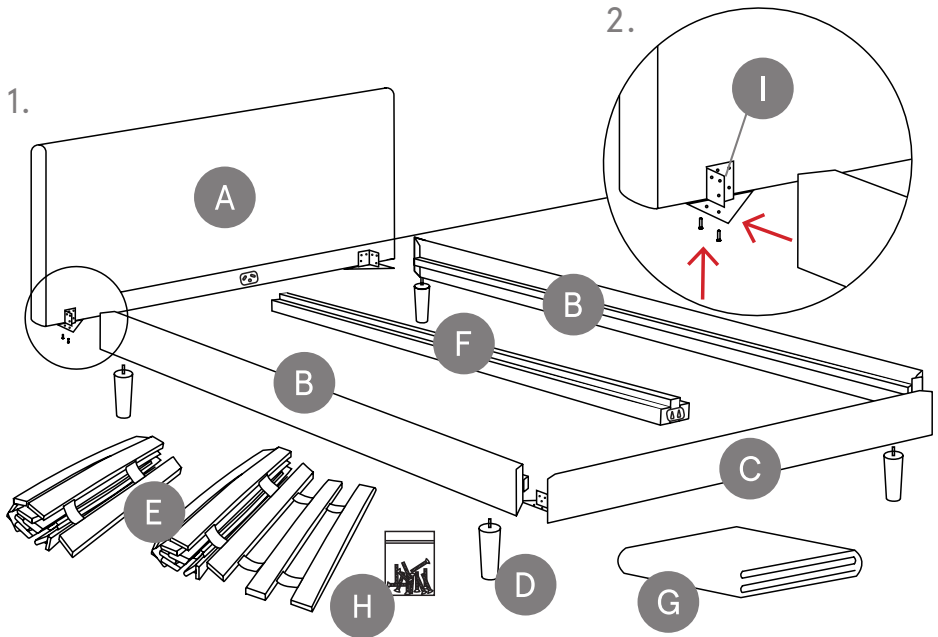
Nook Bed

Assembly Instructions



JARDAN

Nook Bed Assembly Instructions



Components

Required

A 1 x Headboard

B 2 x Side rails

C 1 x Foot rail

D 4 x Timber feet

E 2 x Slat Rolls

F 1 x Centre rail

G 1 x Loose cover

H 8 x Phillips-head screws

I 4 x Corner brackets

J 12 x Hex head screws

A 1 x Cordless Torque Drill on low setting
(to prevent damage)

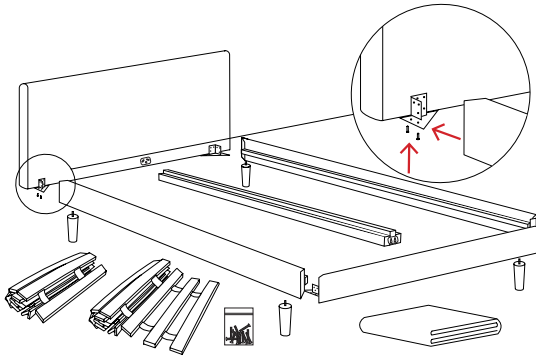
B 1 x 5/16 Hex nut socket drive

C 1 x Phillips-head Screwdriver

D 2 x People (minimum)

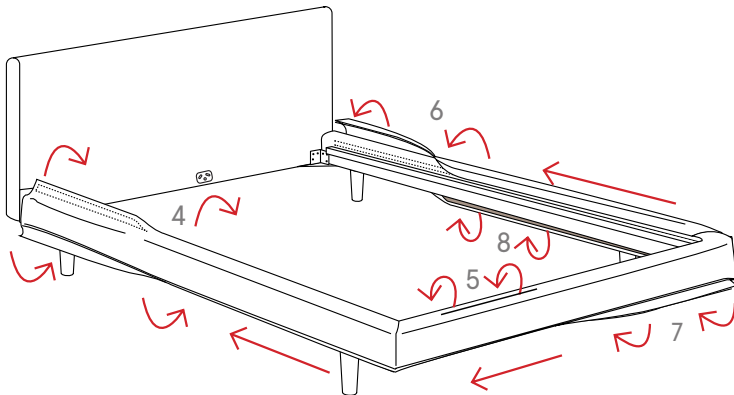
JARDAN

Nook Bed Assembly Instructions



Unwrap and familiarise yourself with all the components. Both the headboard A and foot rail C will have corner brackets pre-fixed at each end. Push side rails B to headboard A at a 90° angle. Loosely fix three hex head screws H through each corner bracket I using a cordless drill with a 5/16 hex nut socket drive. Repeat to attach the foot rail C to the side rails B. Fasten phillips-head screws through all bottom plates of corner brackets I with a phillips-head screwdriver. Tighten hex head screws placed earlier.

1

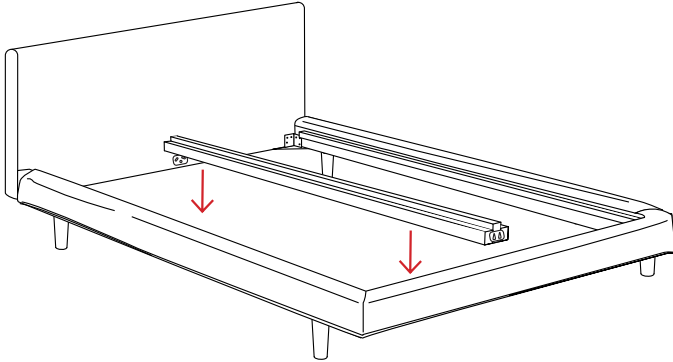


Screw timber feet D into metal plates located on the underside of each side rail B. Lay the loose cover G over side rails B and foot rail C. Align and straighten all seams on the corners. Remove velcro protecting strip from all around the inside of the cover (top part only).

2

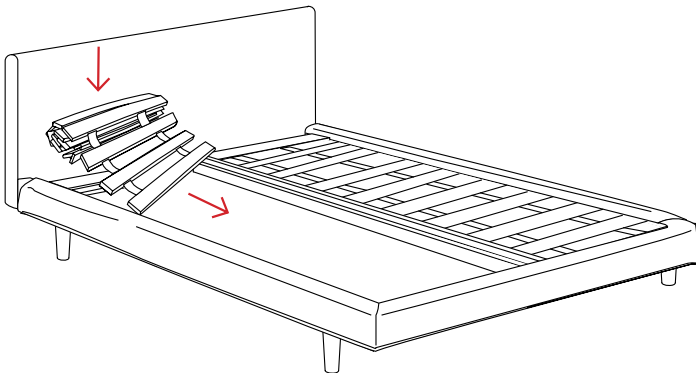
JARDAN

Nook Bed Assembly Instructions



3

Using the velcro, fit the cover to the inside of foot rail C. Continue fitting the velcro along the inside of side rails B. Make sure to align the velcro to the timber rail as shown with the dotted line. Remove the remaining velcro protecting strips. Firmly pull the cover to fit the underside of foot rail C.



4

Fit center rail F to headboard A and to foot rail C using the allocated connection. Roll out slat rolls E, securing in place with the velcro attachments at each end.

JARDAN

Care and Maintenance

Our philosophy is simple, we only make furniture that lasts. Over their lifetime our products will need a little care and attention to ensure they can be enjoyed by generations to come. The following information will help you care for your Jordan products in the best possible way.

Fabric

Vacuum fabrics on a weekly basis to remove dust, dirt and any loose feathers. Treat spills and stains as soon as possible by wiping with a damp cloth, do not treat with chemical cleaners or scrub as this can alter the fabrics appearance. We recommend contacting a specialist fabric cleaner to treat difficult stains. To prolong the life of your upholstery, we recommend annual cleaning by a specialist fabric cleaner. Direct sunlight may cause colour change and aging of your fabric, for best performance we recommend positioning your furniture out of direct UV light. Please refer to the Materials Library on our website for care information specific to your fabric.

Timber Oil Finish

Timber is a natural product that will respond to its environmental conditions. For timber products with an oil finish we recommend that you pay particular attention to protecting the piece from hot or wet objects. Do not leave liquid to sit on timber surfaces as it will penetrate the surface and cause staining. Wipe up spills immediately with a damp cloth.

Dependant on the position of the piece and the conditions of your home, we recommend re-oiling once a year. We advise having your furniture re-oiled at least once by our professional craftspeople to learn the correct application techniques. In some cases, an additional application may be required after the first six months. Oil care packages are available from your nearest Jordan store.

Do not use any other cleaners or polishes as they may permanently damage your furniture. Slab or underfloor heating can be damaging to solid timber products. The heat causes the bottom side to dry out differently to the top which can cause bowing, warping or cracking. We advise that you do not keep solid timber pieces on underfloor heating.

Contact

For more information visit our website. If you can't find what you're looking for our friendly sales team will be happy to help, contact your nearest Jordan store.

jardan.com.au
