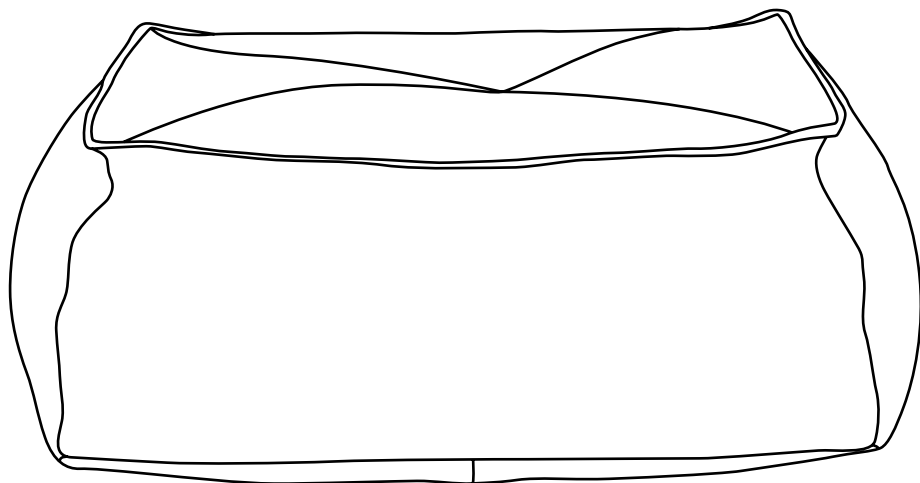

JARDAN

Alby

Assembly Instructions

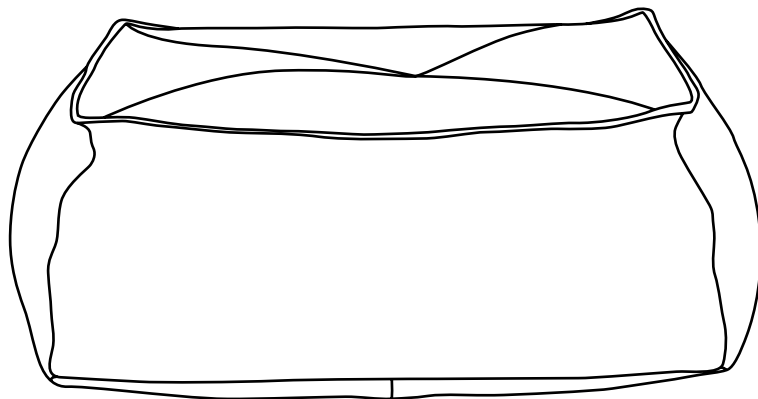


Alby Ottoman

jardan.com.au

JARDAN

Alby Assembly Instructions



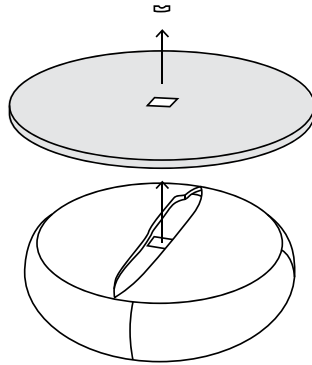
Components

Required

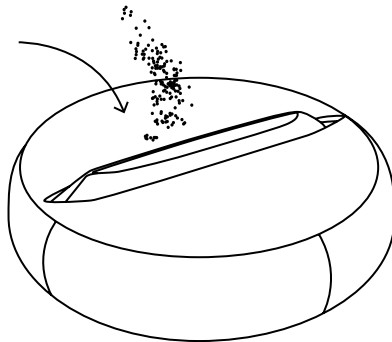
A 1 x felt square	1 x bag of beans
B 1 x foam base	2 x people (minimum)
C 1 x bean bag	1 x knitting needle or similar blunt pointed object
D 1 x outer case	1 x paper clip

JARDAN

Alby Assembly Instructions



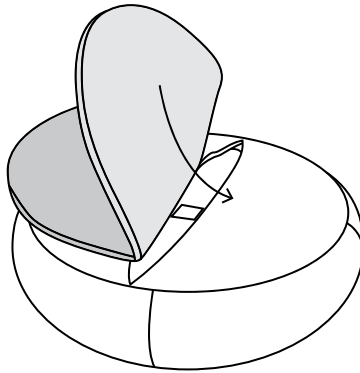
1 As a safety precaution the zipper pulls have been removed from Alby to prevent accidental opening by children. To begin, thread a paper clip through the zip slider and use as a temporary zipper pull to unzip the outer case D. Untie the elastic knot and remove the felt square A and the foam base B.



2 Locate the zip opening on the bean bag C and gently pull until the zipper edge is partially removed from the outer case D. With at least one person holding the bean bag opening taut, carefully unzip and refill beans. Ensure the bean bag and outer case remain threaded together with the elastic. When finished zip closed.

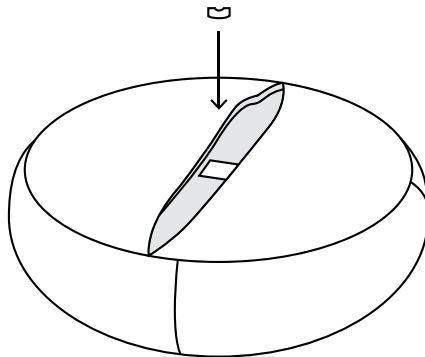
JARDAN

Alby Assembly Instructions



3

Using a blunt point such as a knitting needle, pen or chop stick, feed the elastic back through the center of the foam base B. Once the elastic is through, tie a loose bow to hold in place. Fold foam base and feed back into outer casing until it sits snugly back in place.



4

Untie elastic and pull as tight as possible to gather the outer, bean bag and foam base together. Once tight, tie one knot then place felt square A on top and tie a shoelace bow to secure. To finish, zip closed.

JARDAN

Care and Maintenance

Our philosophy is simple, we only make furniture that lasts. Over their lifetime our products will need a little care and attention to ensure they can be enjoyed by generations to come. The following information will help you care for your Jordan products in the best possible way.

Leather

Leather is a natural product characterised by the unique tone and individual markings that the animal has acquired during its life which may include creases and stretchmarks, scars and insect bites. Some softening and stretching of the leather is to be expected with use. Wipe leather with a clean, damp cloth on a weekly basis to remove dust and dirt particles that can work their way into the hide and abrade the surface. To treat difficult stains, we recommend contacting a specialist leather cleaner who can also assist with regular treatment of the leather to nourish and prolong the life of leather upholstery.

Fabric

Vacuum fabrics on a weekly basis to remove dust, dirt and any loose feathers. Treat spills and stains as soon as possible by wiping with a damp cloth, do not treat with chemical cleaners or scrub as this can alter the fabrics appearance. We recommend contacting a specialist fabric cleaner to treat difficult stains. To prolong the life of your upholstery, we recommend annual cleaning by a specialist fabric cleaner. Direct sunlight may cause colour change and aging of your fabric, for best performance we recommend positioning your furniture out of direct UV light. Please refer to the Materials Library on our website for care information specific to your fabric.

Contact

For more information visit our website. If you can't find what you're looking for our friendly sales team will be happy to help, contact your nearest Jordan store.

jardan.com.au
