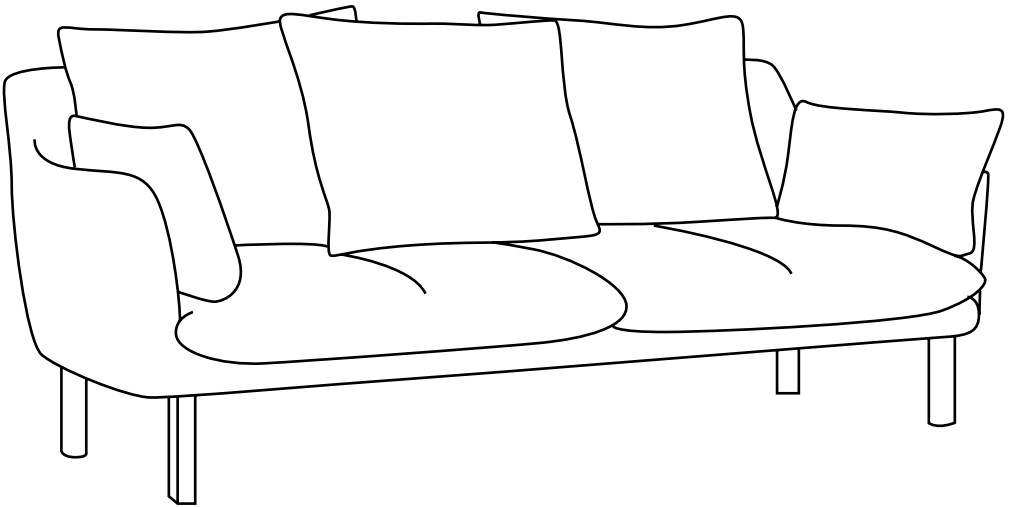

JARDAN

Andy

Assembly Instructions

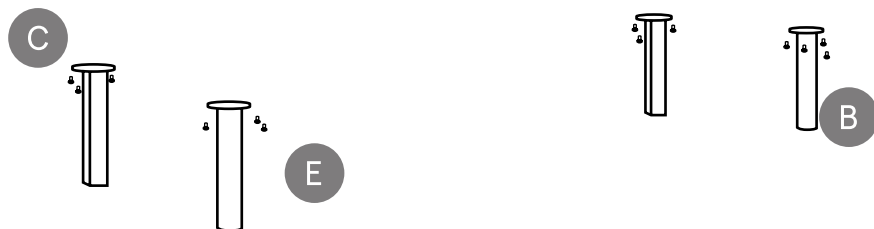
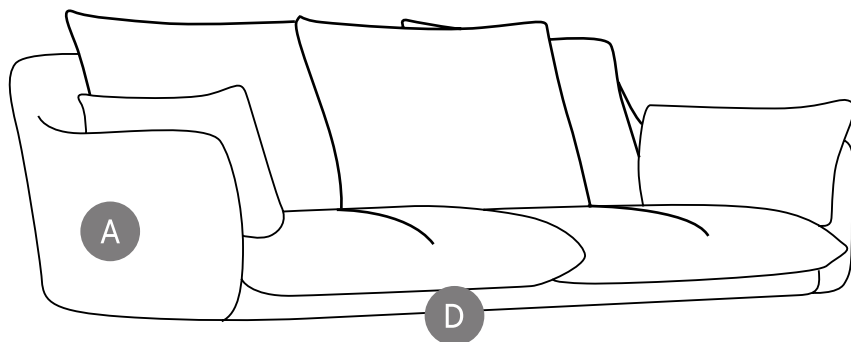


Andy Sofa

jardan.com.au

JARDAN

Andy Assembly Instructions



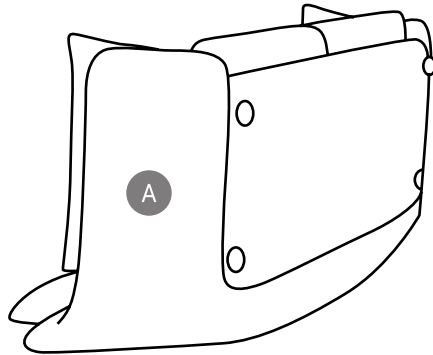
Components	Required
------------	----------

- A Sofa Frame
- B 4 x Front Legs
- C 4 x Leg Plates
- D 4 x Sofa Plates
- E 16 x M6 Bolts

Allen Key

JARDAN

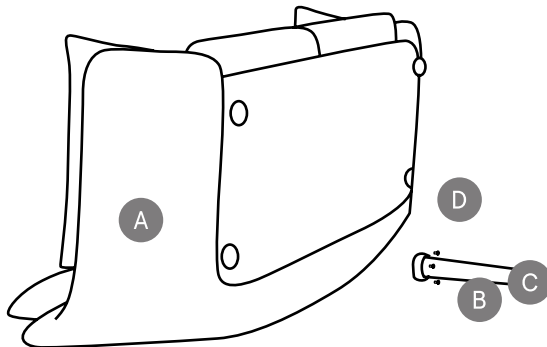
Andy Assembly Instructions



1

Carefully turn the sofa A on to its back.

Note: ensure the ground is well padded to avoid damage.

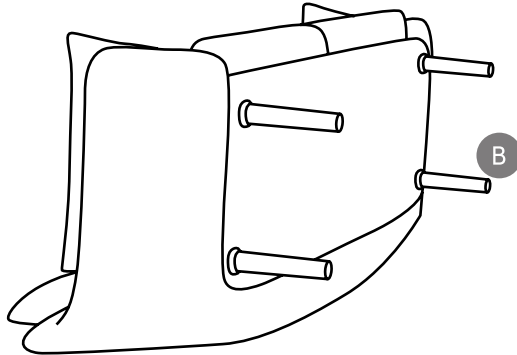


2

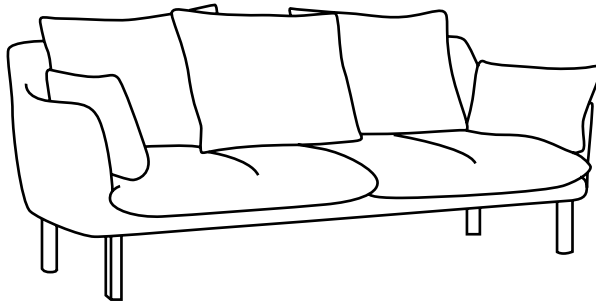
Line up the leg B and leg plate C to the sofa plate D. Using the 4 x M6 Bolts attach the leg plate C to sofa plate D. Ensure the leg straight edge is facing inwards. Note: Leg B and leg plate C will come assembled. Sofa plate D will be attached to the sofa frame A.

JARDAN

Andy Assembly Instructions



- 3** Repeat Step 2 for all other legs B.
-



- 4** Once all legs are secured in place, with a minimum of three people carefully lift Andy to the upright position.
-

JARDAN

Care and Maintenance

Our philosophy is simple, we only make furniture that lasts. Over their lifetime our products will need a little care and attention to ensure they can be enjoyed by generations to come. The following information will help you care for your Jordan products in the best possible way.

Fabric

Vacuum fabrics on a weekly basis to remove dust, dirt and any loose feathers. Treat spills and stains as soon as possible by wiping with a damp cloth, do not treat with chemical cleaners or scrub as this can alter the fabrics appearance. We recommend contacting a specialist fabric cleaner to treat difficult stains. To prolong the life of your upholstery, we recommend annual cleaning by a specialist fabric cleaner. Direct sunlight may cause colour change and aging of your fabric, for best performance we recommend positioning your furniture out of direct UV light. Please refer to the Materials Library on our website for care information specific to your fabric.

Timber Oil Finish

Timber is a natural product that will respond to its environmental conditions. For timber products with an oil finish we recommend that you pay particular attention to protecting the piece from hot or wet objects. Do not leave liquid to sit on timber surfaces as it will penetrate the surface and cause staining. Wipe up spills immediately with a damp cloth.

Dependant on the position of the piece and the conditions of your home, we recommend re-oiling once a year. We advise having your furniture re-oiled at least once by our professional craftspeople to learn the correct application techniques. In some cases, an additional application may be required after the first six months. Oil care packages are available from your nearest Jordan store.

Do not use any other cleaners or polishes as they may permanently damage your furniture. Slab or underfloor heating can be damaging to solid timber products. The heat causes the bottom side to dry out differently to the top which can cause bowing, warping or cracking. We advise that you do not keep solid timber pieces on underfloor heating.

Contact

For more information visit our website. If you can't find what you're looking for our friendly sales team will be happy to help, contact your nearest Jordan store.

jardan.com.au
